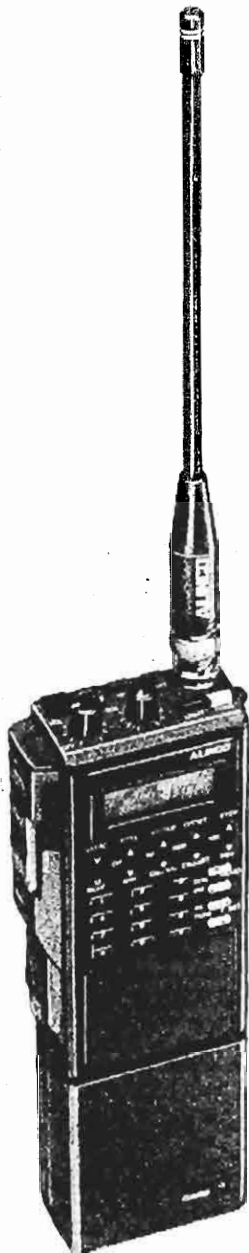


VHF/UHF FM HAND HELD TRANSCEIVER

DJ-500T/E

Service Manual



Index

•SPECIFICATIONS	2
•PARTS LIST	3~8
•CABINET PARTS LOCATION	9
•ADJUSTMENT	10, 11
•RF BOARD ADJUSTMENT POINTS	11
•IF BOARD ADJUSTMENT POINTS	12
•CPU BOARD ADJUSTMENT POINTS	12
•BLOCK DIAGRAM	13
•SCHEMATIC DIAGRAM OF RF UNIT	14
•RF PC BOARDS	15
•SW PC BOARDS	16
•VCO PC BOARDS	16
•SCHEMATIC DIAGRAM OF TONE BURST UNIT	17
•TONE BURST PC BOARDS	17
•SCHEMATIC DIAGRAM OF IF UNIT	18
•IF PC BOARDS	19
•SCHEMATIC DIAGRAM OF CPU UNIT	20
•CPU PC BOARDS	21
•SCHEMATIC DIAGRAM OF TSQ UNIT	22
•TSQ PC BOARDS	23

**ALINCO ELECTRONICS INC.**

■ SPECIFICATIONS

GENERAL

Frequency coverage: 144.0–148.0 MHz DJ-500T
 440–450 MHz
 144.0–146.0 MHz DJ-500E
 430–440 MHz

Emission type: 16F3 (FM)

Antenna Impedance: 50 ohms, unbalanced

Operating voltage: 5.5 to 12 vdc

Operating Current: Battery save 15 mA Transmit LO 0.4/0.6A
 (typical at 7.2 vdc) Squelched 50 mA Transmit HI 0.8/1.2A
 Max. audio out 130 mA

Battery charging time: 14–16 hours

Dimensions: 58 mm (L) × 176 mm (H) × 30 mm (W)
 (2⁵/₁₆" × 6¹⁵/₁₆" × 1¹/₄")

Weight: 0.435 kgs. (0.958 lbs.)

RECEIVER

Type: Dual conversion;
 1st IF 55.05 MHz; 2nd IF 455 kHz

Sensitivity: Less than 25 uV @ 12 dB SINAD

Spurious response: more than 60 dB

Rejection ratio:

Selectivity: More than ±7.5 kHz at –6 dB
 Less than ±15 kHz at –60 dB
 Less than –12 dB

Squelch sensitivity:

Audio output: more than 550 mW (10% THD), 8 ohms

TRANSMITTER

Output power: See table

Modulation: Variable reactance FM

Maximum deviation: ±5 kHz

Harmonic suppression: –60 dB

Microphone: Built-in electret condenser

Operating modes: Simplex
 Shifted + or – 600 kHz or 5 MHz from receive frequency (Odd offsets programmable)

RF POWER OUTPUT TABLE

Battery	HI	LO
EBP-6NAZ	V/U: 4.5/4 W	600 mW (Approx.)
EBP-7NAZ	V/U: 2.5/2 W	450 mW (")
EBP-8NAZ	V/U: 6/5.5 W	850 mW (")
EBP-9NA	V/U: 2.5/2 W	450 mW (")

■ PARTS LIST

Ref. No.	Part Code	Part Name and Number	Ref. No.	Part Code	Part Name and Number	Ref. No.	Part Code	Part Name and Number
CPU Unit			R57	RK0045	Chip R, MCR10472J	Q208	XU0003	Transistor, DTC114TK
IC1	XA0067	IC, μ PD7514G	R59	RK0035	Chip R, MCR10102J	Q209	XT0035	Transistor, 2SC3429
IC2	XA0059	IC, BA6993	R60	RK0035	Chip R, MCR10102J	Q210	XT0030	Transistor, 2SC3356
IC3	XA0042	IC, LR40872	R61	RK0107	Chip R, MCR10 0 Ω (DJ-500E only)	Q211	XU0016	Transistor, DTC143EK
Q1	XT0038	Transistor, 2SA1037KR	R62	RK0107	Chip R, MCR10 0 Ω (DJ-500T only)	Q212	XT0030	Transistor, 2SC3356
Q2	XU0014	Transistor, DTC144EK	R63	RK0107	Chip R, MCR10 0 Ω (DJ-500E only)	Q213	XT0059	Transistor, 2SC3082KSQ
Q3	XU0014	Transistor, DTC144EK	C1	CU8002	Chip C., C2012B1H103K	Q214	XT0059	Transistor, 2SC3082KSQ
Q4	XU0001	Transistor, DTC143TK	C2	CU8002	Chip C., C2012B1H103K	Q215	XT0048	Transistor, 2SC3357
D1	XD0080	Diode, RB400D	C3	CU8002	Chip C., C2012B1H103K	Q216	XT0048	Transistor, 2SC3357
D2	XD0080	Diode, RB400D	C4	CU8002	Chip C., C2012B1H103K	Q217	XT0030	Transistor, 2SC3356
D3	XD0071	Diode, FMPI	C5	CU8002	Chip C., C2012B1H103K	Q218	XT0035	Transistor, 2SC3429
D4	XD0091	Diode, IMN10	C6	CU8001	Chip C., C2012B1H102K	Q219	XT0038	Transistor, 2SA1037KR
D5	XD0091	Diode, IMN10	C12	CU8001	Chip C., C2012B1H102K	Q220	XT0037	Transistor, 2SC2412KR
D6	XD0041	Diode, DAP202K	C13	CU8001	Chip C., C2012B1H102K	Q221	XT0066	Transistor, 2SC2413AP
D7	XD0041	Diode, DAP202K	C14	CU0023	Chip C., C2012CH1H330K	Q222	XT0059	Transistor, 2SC3082KSQ
D8	XD0040	Diode, DAN202K	C15	CU8001	Chip C., C2012B1H102K	Q223	XT0038	Transistor, 2SA1037KR
D9	XD0090	Diode, 02CZ3.6X	C16	CS0060	Chip Tantal C., TMC1E474TR	Q224	XT0037	Transistor, 2SC2412KR
R1	RK0126	Chip R., MCR10163J	C17	CS0053	Chip Tantal C., TMC0J476TR	D201	XD0070	Diode, 1SS265
R2	RK0052	Chip R., MCR10103J	C18	CU8001	Chip C., C2012B1H102K	D202	XD0070	Diode, 1SS265
R3	RK0052	Chip R., MCR10103J	C19	CU8001	Chip C., C2012B1H102K	D203	XD0070	Diode, 1SS265
R4	RK0052	Chip R., MCR10103J	C20	CU8001	Chip C., C2012B1H102K	D204	XD0070	Diode, 1SS265
R5	RK0052	Chip R., MCR10103J	C21	CU8001	Chip C., C2012B1H102K	D205	XD0070	Diode, 1SS265
R6	RK0052	Chip R., MCR10103J	C22	CU8001	Chip C., C2012B1H102K	D206	XD0070	Diode, 1SS265
R7	RK0052	Chip R., MCR10103J	C23	CU8001	Chip C., C2012B1H102K	D207	XD0070	Diode, 1SS265
R8	RK0073	Chip R., MCR10224J	C24	CS0051	Chip Tantal C., TMC1C106TR	D208	XD0070	Diode, 1SS265
R9	RK0069	Chip R., MCR10104J	C25	CU8002	Chip C., C2012B1H103K	D209	XD0070	Diode, 1SS265
R10	RK0062	Chip R., MCR10473J	C30	CU8003	Chip C., C2012Y1E104Z	D210	XD0070	Diode, 1SS265
R11	RK0073	Chip R., MCR10224J	C31	CU8001	Chip C., C2012B1H102K	D211	XD0070	Diode, 1SS265
R12	RK0045	Chip R., MCR10472J	C32	CU8001	Chip C., C2012B1H102K	D212	XD0070	Diode, 1SS265
R13	RK0073	Chip R., MCR10224J	C33	CU8001	Chip C., C2012B1B102K	D213	XD0070	Diode, 1SS265
R14	RK0042	Chip R., MCR10332J	C34	CS0049	Chip Tantal C., TMC1C105TR	D214	XD0070	Diode, 1SS265
R15	RK0062	Chip R., MCR10473J	S1	UU0009	Tact SW., EVQ-QHJ-04G	D215	XD0070	Diode, 1SS265
R16	RK0035	Chip R., MCR10102J	S2	UU0009	Tact SW., EVQ-QHJ-04G	D216	XD0097	Diode, 1SS268
R17	RK0035	Chip R., MCR10102J	S3	UU0009	Tact SW., EVQ-QHJ-04G	D217	XD0066	Diode, RLS135
R18	RK0035	Chip R., MCR10102J	S4	US0014	Slide SW., ESD-10501	D218	XD0040	Diode, DAN202K
R19	RK0035	Chip R., MCR10102J	LCD	EL0004	LCD, CG176X-TNP	X201	XQ0022	X'tal, UM-1 12.8 MHz
R20	RK0035	Chip R., MCR10102J	MIC	EY0003	E.C MIC, EM-6B	X202	XQ0026	X'tal, UM-1 58.888 MHz
R21	RK0035	Chip R., MCR10102J	X1	XB0001	Ceramic Resonator, FAR-CACA03580000-K01	VR201	RH0036	VR, CVR-42A-102AW1D
R22	RK0035	Chip R., MCR10102J	BATT	ED0003	Lf-Batt, BR2325-IF3	VR201	RH0036	VR, CVR-42A-102AW1D
R23	RK0035	Chip R., MCR10102J	LAMP	EP0005	Lamp, 23-BR-5V60 LAMP	VR203	RH0037	VR, CVR-42A-471AW1D
R24	RK0052	Chip R., MCR10103J	VR1	RH0031	VR, CVR-42A-103	VR204	RH0037	VR, CVR-42A-471AW1D
R25	RK0035	Chip R., MCR10102J	RF Unit			R201	RK3042	Chip R., MCR03 2.2K
R26	RK0035	Chip R., MCR10102J	IC201	XA0064	IC., MB1504	R202	RK3029	Chip R., MCR03 180 Ω
R27	RK0035	Chip R., MCR10102J	IC202	XA0064	IC., MB1504	R203	RK3026	Chip R., MCR03 100 Ω
R28	RK0035	Chip R., MCR10102J	IC203	XA0044	IC., M57796MA	R204	RK3050	Chip R., MCR03 10K
R29	RK0035	Chip R., MCR10102J	IC204	XA0069	IC., M57797MA	R205	RK3026	Chip R., MCR03 100 Ω
R30	RK0035	Chip R., MCR10102J	IC205	XA0087	IC., TC4S01F TE85	R206	RK3026	Chip R., MCR03 100 Ω
R31	RK0052	Chip R., MCR10103J	Q201	XE0015	FET., 2SK302Y	R207	RK3038	Chip R., MCR03 1K
R32	RK0052	Chip R., MCR10103J	Q202	XE0015	FET., 2SK302Y	R208	RK3058	Chip R., MCR03 47K
R33	RK0035	Chip R., MCR10102J	Q203	XU0014	Transistor, DTC144EK	R210	RK3046	Chip R., MCR03 4.7K
R34	RK0035	Chip R., MCR10102J	Q204	XU0016	Transistor, DTC143EK	R211	RK3026	Chip R., MCR03 100 Ω
R35	RK0035	Chip R., MCR10102J	Q205	XT0030	Transistor, 2SC3356	R212	RK3046	Chip R., MCR03 4.7K
R36	RK0035	Chip R., MCR10102J	Q206	XT0035	Transistor, 2SC3429	R213	RK3050	Chip R., MCR03 10K
R37	RK0127	Chip R., MCR10164J				R214	RK3042	Chip R., MCR03 2.2K
R38	RK0052	Chip R., MCR10103J				R215	RK3050	Chip R., MCR03 10K
R39	RK0062	Chip R., MCR10473J				R216	RK3042	Chip R., MCR03 2.2K
R40	RK0039	Chip R., MCR10222J				R217	RK3062	Chip R., MCR03 100K
R41	RK0062	Chip R., MCR10473J				R218	RK3026	Chip R., MCR03 100 Ω
R42	RK0052	Chip R., MCR10103J				R219	RK3050	Chip R., MCR03 10K
R43	RK0062	Chip R., MCR10473J				R220	RK3050	Chip R., MCR03 10K
R44	RK0052	Chip R., MCR10103J				R221	RK3050	Chip R., MCR03 10K
R45	RK0001	Chip R., MCR10100J				R222	RK3056	Chip R., MCR03 33K
R46	RK0035	Chip R., MCR10102J				R223	RK3032	Chip R., MCR03 330 Ω
R47	RK0059	Chip R., MCR10333J				R225	RK3034	Chip R., MCR03 470 Ω
R48	RK0069	Chip R., MCR10104J				R228	RK3050	Chip R., MCR03 10K
R49	RK0052	Chip R., MCR10103J				R229	RK3062	Chip R., MCR03 100K
R50	RK0062	Chip R., MCR10473J				R230	RK3030	Chip R., MCR03 220 Ω
R51	RK0059	Chip R., MCR10333J				R231	RK3050	Chip R., MCR03 10K
R52	RK0039	Chip R., MCR10222J				R232	RK3058	Chip R., MCR03 47K
R53	RK0052	Chip R., MCR10103J				R233	RK3026	Chip R., MCR03 100 Ω
R54	RK0028	Chip R., MCR10471J				R234	RK3042	Chip R., MCR03 2.2K
R55	RK0045	Chip R., MCR10472J				R235	RK3042	Chip R., MCR03 2.2K
R56	RK0045	Chip R., MCR10472J				R236	RK3030	Chip R., MCR03 220 Ω

Ref. No.	Part Code	Part Name and Number	Ref. No.	Part Code	Part Name and Number	Ref. No.	Part Code	Part Name and Number
R237	RK3052	Chip R., MCR03 15K	R312	RK3022	Chip R., MCR03 47Ω	C250	CU0002	Chip C., C2012CH1H010C
R238	RK3044	Chip R., MCR03 3.3K			(DJ-500T only)	C251	CU3035	Chip C., CM105W5R102K
R239	RK3030	Chip R., MCR03 220Ω	R313	RK3026	Chip R., MCR03 100Ω	C252	CU0006	Chip C., C2012CH1H050C
R240	RK3038	Chip R., MCR03 1K	R314	RK3001	Chip R., MCR03 0Ω	C253	CU0004	Chip C., C2012CH1H030C
R242	RK3056	Chip R., MCR03 33K				C254	CU3035	Chip C., CM105W5R102K
R243	RK3050	Chip R., MCR03 10K	FB3	QB0003	Ferrite Beads, OP-2.52-1.2H	C255	CU3035	Chip C., C2012CH1H020C
R244	RK3025	Chip R., MCR03 82Ω	FB4	QB0003	Ferrite Beads, OP-2.52-1.2H	C256	CU3035	Chip C., CM105W5R102K
R245	RK0128	Chip R., MCR10 5.6Ω	FB5	QB0003	Ferrite Beads, OP-2.52-1.2H	C257	CU0003	Chip C., C2012CH1H020C
R246	RD0022	Lead R., R20 220Ω				C259	CU0004	Chip C., C2012CH1H030C
R247	RK3034	Chip R., MCR03 470Ω	TC201	CT0013	Trimmer C., ECR-GA003A30	C260	CU0004	Chip C., C2012CH1H030C
R248	RK3027	Chip R., MCR03 120Ω	TC203	CT0003	Trimmer C., ECR-GA006A30	C261	CU3035	Chip C., CM105W5R102K
R249	RK3038	Chip R., MCR03 1K	TC204	CT0013	Trimmer C., ECR-GA003A30	C262	CU3035	Chip C., CM105W5R102K
R250	RK3048	Chip R., MCR03 6.8K	TC205	CT0013	Trimmer C., ECR-GA003A30	C263	CU3035	Chip C., CM105W5R102K
R251	RK3046	Chip R., MCR03 4.7K	TC206	CT0013	Trimmer C., ECR-GA003A30	C264	CU0001	Chip C., CM105W5R102K
R252	RK3022	Chip R., MCR03 42Ω	TC207	CT0013	Trimmer C., ECR-GA003A30	C265	CU0004	Chip C., C2012CH1H030C
R253	RK3042	Chip R., MCR03 2.2K	TC208	CT0013	Trimmer C., ECR-GA003A30	C266	CU3035	Chip C., CM105W5R102K
R254	RK3026	Chip R., MCR03 100Ω	TC209	CT0003	Trimmer C., ECR-GA006A30	C267	CU3035	Chip C., CM105W5R102K
R255	RK0128	Chip R., MCR10 5.6Ω	TC210	CT0003	Trimmer C., ECR-GA006A30	C268	CU3035	Chip C., CM105W5R102K
R256	RK3034	Chip R., MCR03 470Ω				C269	CU0001	Chip C., C2012CH1H0R5C
R257	RK3034	Chip R., MCR03 470Ω				C270	CU3035	Chip C., CM105W5R102K
R258	RK3038	Chip R., MCR03 1K	C201	CU0001	Chip C., C2012CH1H0R5C	C271	CU0051	Chip C., C2012CH1H471K
R259	RK3038	Chip R., MCR03 1K	C202	CU0008	Chip C., C2012CH1H070D	C272	CU0019	Chip C., C2012CH1H220J
R260	RK3050	Chip R., MCR03 10K	C203	CU0017	Chip C., C2012CH1H180J	C273	CC0104	Ceramic C., 50 V CH 3P
R261	RK3046	Chip R., MCR03 4.7K	C204	CU3035	Chip C., CM105W5R102K	C274	CU0007	Chip C., C2012CH1H060D
R262	RK3038	Chip R., MCR03 1K	C205	CU0007	Chip C., C2012CH1H060D	C275	CU0008	Chip C., C2012CH1H070D
R263	RK3026	Chip R., MCR03 100Ω	C206	CU0023	Chip C., C2012CH1H330J	C276	CU3035	Chip C., CM105W5R102K
R264	RK3026	Chip R., MCR03 100Ω	C207	CU0003	Chip C., C2012CH1H020C	C278	CU0023	Chip C., C2012CH1H330J
R265	RK3044	Chip R., MCR03 3.3K	C208	CU0015	Chip C., C2012CH1H150J	C279	CU0015	Chip C., C2012CH1H150J
R266	RK3062	Chip R., MCR03 100K	C209	CU0023	Chip C., C2012CH1H330J	C280	CU3035	Chip C., CM105W5R102K
R267	RK3038	Chip R., MCR03 1K	C210	CU0019	Chip C., C2012CH1H220J	C281	CU0015	Chip C., C2012CH1H150J
R268	RK3058	Chip R., MCR03 47K	C211	CU0011	Chip C., C2012CH1H100D	C282	CU3035	Chip C., CM105W5R102K
R269	RK3038	Chip R., MCR03 1K	C212	CU3023	Chip C., CM105CH101K	C283	CU3035	Chip C., CM105W5R102K
R270	RK3038	Chip R., MCR03 1K	C213	CU0027	Chip C., C2012CH1H470J	C284	CE0033	Chemical C., MS5 10μ/10 V
R271	RK3026	Chip R., MCR03 100Ω	C214	CU0003	Chip C., C2012CH1H010C	C285	CU3035	Chip C., CM105W5R102K
R272	RK3050	Chip R., MCR03 10K	C215	CU3035	Chip C., CM105W5R102K	C286	CU3035	Chip C., CM105W5R102K
R273	RK3042	Chip R., MCR03 2.2K	C216	CU3035	Chip C., CM105W5R102K	C287	CU0019	Chip C., C2012CH1H220J
R274	RK3042	Chip R., MCR03 2.2K	C217	CU0007	Chip C., C2012CH1H060D	C288	CU0015	Chip C., C2012CH1H150J
R275	RK3042	Chip R., MCR03 2.2K	C218	CU0002	Chip C., C2012CH1H010C	C289	CU3035	Chip C., CM105W5R102K
R276	RK3030	Chip R., MCR03 220Ω	C219	CU0003	Chip C., C2012CH1H020C	C290	CU0011	Chip C., C2012CH1H100D
R277	RK3062	Chip R., MCR03 100K	C220	CU3023	Chip C., CM105CH101K	C291	CU0015	Chip C., C2012CH1H150J
R278	RK3050	Chip R., MCR03 10K	C221	CU3035	Chip C., CM105W5R102K	C292	CE0032	Chemical C., MS5 4.7μ/16 V
R279	RK3050	Chip R., MCR03 10K	C222	CU3035	Chip C., CM105W5R102K	C293	CU3035	Chip C., CM105W5R102K
R280	RK3050	Chip R., MCR03 10K	C223	CU3035	Chip C., CM105W5R102K	C294	CU3035	Chip C., CM105W5R102K
R281	RK3038	Chip R., MCR03 1K	C224	CU3035	Chip C., CM105W5R102K	C295	CU0019	Chip C., C2012CH1H220J
R282	RK3042	Chip R., MCR03 2.2K	C225	CU3035	Chip C., CM105W5R102K	C296	CU0013	Chip C., C2012CH1H120J
R283	RK3050	Chip R., MCR03 10K	C226	CU3035	Chip C., CM105W5R102K			(DJ-500T only)
R284	RK3050	Chip R., MCR03 10K	C227	CU0002	Chip C., C2012CH1H010C	C296	CU0015	Chip C., C2012CH1H150J
R285	RK3042	Chip R., MCR03 2.2K	C228	CU0007	Chip C., C2012CH1H060D			(DJ-500E only)
R286	RK3042	Chip R., MCR03 2.2K				C297	CU3035	Chip C., CM105W5R102K
R287	RK3042	Chip R., MCR03 2.2K				C298	CU0006	Chip C., C2012CH1H050C
R288	RK3038	Chip R., MCR03 1K				C299	CE0033	Chemical C., MS5 10μ/10 V
R289	RK3026	Chip R., MCR03 100Ω	C228	CU0009	Chip C., C2012CH1H080D	C300	CU3035	Chip C., CM105W5R102K
R290	RK3044	Chip R., MCR03 3.3K				C301	CU3035	Chip C., CM105W5R102K
R291	RK3062	Chip R., MCR03 100K				C302	CU3035	Chip C., CM105W5R102K
R292	RK3050	Chip R., MCR03 10K	C229	CU0003	Chip C., C2012CH1H020C	C304	CU0003	Chip C., C2012CH1H020C
R293	RK3062	Chip R., MCR03 100K						(DJ-500T only)
R294	RK3038	Chip R., MCR03 1K				C304	CU0005	Chip C., C2012CH1H040C
R295	RK3066	Chip R., MCR03 220K						(DJ-500E only)
R296	RK3050	Chip R., MCR03 10K	C230	CU0013	Chip C., C2012CH1H120J	C305	CU3035	Chip C., CM105W5R102K
R297	RK3050	Chip R., MCR03 10K	C231	CU0019	Chip C., C2012CH1H150J	C306	CU0017	Chip C., C2012CH1H180J
R298	RK3050	Chip R., MCR03 10K	C232	CU0027	Chip C., C2012CH1H470J			(DJ-500T only)
R299	RK3038	Chip R., MCR03 1K	C233	CU0011	Chip C., C2012CH1H100D	C306	CU0019	Chip C., C2012CH1H220J
R300	RK3052	Chip R., MCR03 15K	C234	CU3035	Chip C., CM105W5R102K			(DJ-500E only)
R301	RK3038	Chip R., MCR03 1K	C235	CU0006	Chip C., C2012CH1H050D	C307	CU0005	Chip C., C2012CH1H040C
R302	RK3050	Chip R., MCR03 10K	C236	CU0011	Chip C., C2012CH1H100D			(DJ-500T only)
R303	RK3026	Chip R., MCR03 100Ω	C237	CU0027	Chip C., C2012CH1H470J	C307	CU0008	Chip C., C2012CH1H070C
R304	RK3022	Chip R., MCR03 47Ω	C238	CU3035	Chip C., CM105W5R102K			(DJ-500E only)
R305	RK3058	Chip R., MCR03 47K	C239	CU3035	Chip C., CM105W5R102K	C308	CU3035	Chip C., CM105W5R102K
R306	RK3001	Chip R., MCR03 0Ω	C240	CU3035	Chip C., CM105W5R102K	C309	CU3035	Chip C., CM105W5R102K
R307	RK3001	Chip R., MCR03 0Ω	C241	CU3035	Chip C., CM105W5R102K	C310	CU3035	Chip C., CM105W5R102K
R308	RK3001	Chip R., MCR03 0Ω	C242	CU3035	Chip C., CM105W5R102K	C311	CU3035	Chip C., CM105W5R102K
R309	RK3001	Chip R., MCR03 0Ω	C243	CU0008	Chip C., C2012CH1H070D	C312	CU3035	Chip C., CM105W5R102K
R310	RK3042	Chip R., MCR03 2.2K	C244	CU0005	Chip C., C2012CH1H040C	C313	CU3035	Chip C., CM105W5R102K
R311	RK3046	Chip R., MCR03 4.7K	C245	CU0002	Chip C., C2012CH1H010C	C314	CU3035	Chip C., CM105W5R102K
R312	RK3026	Chip R., MCR03 100Ω	C246	CU0006	Chip C., C2012CH1H050C	C315	CU0008	Chip C., C2012CH1H070D
		(DJ-500E only)	C247	CU0011	Chip C., C2012CH1H100D			(DJ-500T only)
			C249	CU0027	Chip C., C2012CH1H470J			

Ref. No.	Part Code	Part Name and Number	Ref. No.	Part Code	Part Name and Number	Ref. No.	Part Code	Part Name and Number
R514	RK3046	Chip R., MCR03 4.7K	D609	XD0039	Diode, RLS4152	R658	RK3058	Chip R, MCR03 47K
R515	RK3048	Chip R., MCR03 6.8K	D610	XD0116	Zener Diode, MTZ J5.1A	R659	RK3056	Chip R, MCR03 33K
R516	RK3050	Chip R., MCR03 10K				R660	RK3046	Chip R, MCR03 4.7K
R517	RK3026	Chip R., MCR03 100Ω	X601	XQ0027	X'tal UM-1 54.595 MHz	R661	RK3046	Chip R, MCR03 4.7K
R518	RK3050	Chip R., MCR03 10K				R662	RK3054	Chip R, MCR03 22K
R519	RK3034	Chip R., MCR03 470Ω	FL601	XF0003	X'tal Filter, 55M15A 55.05 MHz	R663	RK3054	Chip R, MCR03 22K
R520	RK3046	Chip R., MCR03 4.7K	FL602	XC0004	Ceramic Filter, CFUM455E	R664	RK3054	Chip R, MCR03 22K
R521	RK3058	Chip R., MCR03 47K				R665	RK3058	Chip R, MCR03 47K
R522	RK3042	Chip R., MCR03 2.2K				R666	RK3046	Chip R, MCR03 4.7K
C501	CU3002	Chip C., CM105CH010C	L601	QC0017	Chip Choke Coil, MLF3216DR47M	R667	RK3038	Chip R, MCR03 1K
C503	CU3005	Chip C., CM105CH040C	L602	QA0049	Filter-matching Coil, QA0049 (181/41)	R668	RK3046	Chip R, MCR03 4.7K
C504	CU3002	Chip C., CM105CH010C	L603	QA0049	Filter-matching Coil, QA0049 (181/41)	R669	RK0105	Chip R, MCR10 2.2Ω
C505	CU3054	Chip C., CM105W5R223K	L604	QC0017	Chip Choke Coil, MLF3216DR47M	R670	RK3050	Chip R, MCR03 10K
C506	CU3035	Chip C., CM105W5R102K	L605	QC0054	Chip Choke Coil, LAL02NAR56M	R671	RK3054	Chip R, MCR03 22K
C507	CU3003	Chip C., CM105CH020C	L606	QC0011	Choke Coil, LAL02R2M	R672	RK3070	Chip R, MCR03 470K
C508	CU3002	Chip C., CM105CH010C	L607	QA0044	455 kHz IF Coil, QA0044	R673	RK3032	Chip R, MCR03 330Ω
C509	CU3035	Chip C., CM105W5R102K	L608	QC0013	Choke Coil, LAL021ROM	R674	RK3054	Chip R, MCR03 22K
C510	CU3035	Chip C., CM105W5R102K	L609	QC0013	Choke Coil, LAL021ROM	R675	RK3054	Chip R, MCR03 22K
C511	CU3003	Chip C., CM105CH020C	R601	RK0022	Chip R, MCR10 220Ω	R676	RK3042	Chip R, MCR03 2.2K
C512	CU3035	Chip C., CM105W5R102K	R602	RK0022	Chip R, MCR10 220Ω	R677	RK3038	Chip R, MCR03 1K
C513	CU3010	Chip C., CM105CH090C	R603	RK3050	Chip R, MCR03 10K	R678	RK3047	Chip R, MCR03 5.6K
C514	CU3012	Chip C., CM105CH120K	R604	RK3050	Chip R, MCR03 10K	R680	RK3046	Chip R, MCR03 4.7K
C515	CU3002	Chip C., CM105CH010C	R605	RK3050	Chip R, MCR03 10K	R681	RK3050	Chip R, MCR03 10K
C516	CU3004	Chip C., CM105CH030C	R606	RK3050	Chip R, MCR03 10K	R682	RK3070	Chip R, MCR03 470K
C517	CU3021	Chip C., CM105CH680K	R607	RK3050	Chip R, MCR03 10K	R683	RK3024	Chip R, MCR03 68Ω
C518	CU3035	Chip C., CM105W5R102K	R608	RK3042	Chip R, MCR03 2.2K	R684	RK3042	Chip R, MCR03 2.2K
C519	CU3035	Chip C., CM105W5R102K	R610	RK3050	Chip R, MCR03 10K	R685	RK3038	Chip R, MCR03 1K
C520	CU3035	Chip C., CM105W5R102K	R611	RK3050	Chip R, MCR03 10K	R686	RK3038	Chip R, MCR03 1K
C521	CU3035	Chip C., CM105W5R102K	R612	RK3050	Chip R, MCR03 10K	R687	RK0105	Chip R, MCR10 2.2Ω
			R613	RK3054	Chip R, MCR03 22K	R688	RK3038	Chip R, MCR03 1K
			R614	RK3047	Chip R, MCR03 5.6K	R689	RK3054	Chip R, MCR03 22K
			R615	RK3047	Chip R, MCR03 5.6K	R690	RK3038	Chip R, MCR03 1K
			R616	RK3047	Chip R, MCR03 5.6K	R691	RK3046	Chip R, MCR03 4.7K
			R617	RK3058	Chip R, MCR03 47K	R692	RK3038	Chip R, MCR03 1K
			R618	RK3061	Chip R, MCR03 82K	R693	RK3050	Chip R, MCR03 10K
			R619	RK3054	Chip R, MCR03 22K (DJ-500T only)	R694	RK3050	Chip R, MCR03 10K
			R619	RK3050	Chip R, MCR03 10K (DJ-500E only)	R695	RK3050	Chip R, MCR03 10K
			R620	RK3054	Chip R, MCR03 22K	R696	RK3026	Chip R, MCR03 100Ω
			R621	RK3050	Chip R, MCR03 10K	R697	RK3062	Chip R, MCR03 100K
			R622	RK3067	Chip R, MCR03 270K	R698	RK3058	Chip R, MCR03 47K
			R623	RK3063	Chip R, MCR03 120K	R700	RK3050	Chip R, MCR03 10K
			R624	RK3065	Chip R, MCR03 180K	VR601	RH0038	VR, CVR-42A-473
			R625	RK3050	Chip R, MCR03 10K	VR602	RH0038	VR, CVR-42A-473
			R626	RK3050	Chip R, MCR03 10K	VR603	RH0031	VR, CVR-42A-103
			R627	RK3052	Chip R, MCR03 15K	VR604	RH0031	VR, CVR-42A-103
			R628	RK3069	Chip R, MCR03 390K	VR605	RH0031	VR, CVR-42A-103
			R629	RK3061	Chip R, MCR03 82K	VR606	RH0031	VR, CVR-42A-103
			R630	RK3066	Chip R, MCR03 220K	VR607	RH0057	VR, RK0971110, 10 kΩB
			R631	RK3031	Chip R, MCR03 270Ω	VR608	RH0042	VR, RK0971111, 10 kΩA
			R632	RK3026	Chip R, MCR03 100Ω	VR609	RH0036	VR, CVR-42A-103
			R633	RK3026	Chip R, MCR03 100Ω	S601	UQ0012	Non-lock SW, ESB64803
			R634	RK3068	Chip R, MCR03 330K	S602	UQ0012	Non-lock SW, ESB64803
			R635	RK3068	Chip R, MCR03 220K	SP	ES0005	SP, 036S13D
			R636	RK3050	Chip R, MCR03 10K	C601	CS0057	Chip Tantal C., TMC0J225TR
			R637	RK0022	Chip R, MCR10 220Ω	C602	CU3035	Chip C., CM105W5R102K
			R638	RK3026	Chip R, MCR03 100Ω	C604	CU3035	Chip C., CM105W5R102K
			R639	RK3046	Chip R, MCR03 4.7K	C605	CU8002	Chip C., C2012B1H103K
			R640	RK3058	Chip R, MCR03 47K	C606	CU8002	Chip C., C2012B1H103K
			R641	RK3066	Chip R, MCR03 220K	C607	CU8005	Chip C., C2012B1H222K
			R642	RK3046	Chip R, MCR03 4.7K	C608	CS0059	Chip Tantal C., TMC0J226TR
			R643	RK3034	Chip R, MCR03 470Ω	C609	CU3035	Chip C., CM105W5R102K
			R644	RK3044	Chip R, MCR03 3.3K	C610	CS0060	Chip Tantal C., TMC1E474TR
			R645	RK3072	Chip R, MCR03 680K	C611	CS0060	Chip Tantal C., TMC1E474TR
			R646	RK3044	Chip R, MCR03 3.3K	C612	CU8018	Chip C., C2012B1H152K
			R647	RK3072	Chip R, MCR03 680K	C613	CU3023	Chip C., CM105CH101K
			R648	RK3050	Chip R, MCR03 10K	C614	CU3035	Chip C., CM105W5R102K
			R649	RK3042	Chip R, MCR03 2.2K	C615	CS0060	Chip Tantal C., TMC1E474TR
			R650	RK3044	Chip R, MCR03 3.3K	C616	CU8005	Chip C., C2012B1H222K
			R651	RK3022	Chip R, MCR03 47Ω	C617	CU3023	Chip C., CM105CH101K
			R652	RK3050	Chip R, MCR03 10K	C618	CU3023	Chip C., CM105CH101K
			R653	RK3050	Chip R, MCR03 10K	C619	CS0061	Chip Tantal C., TMC1V224TR
			R654	RK3062	Chip R, MCR03 100K	C620	CU3035	Chip C., CM105W5R102K
			R655	RK3038	Chip R, MCR03 1K	C621	CS0059	Chip Tantal C., TMC0J226TR
			R656	RK3070	Chip R, MCR03 470K			
			R657	RK3044	Chip R, MCR03 3.3K			
IF Unit								
IC601	XA0019	IC, μPD4094BG						
IC602	XA0068	IC, M5218FP						
IC603	XA0070	IC, MC3361D						
IC604	XA0071	IC, BA546						
IC605	XA0080	IC, TC4S81F						
Q601	XT0037	Transistor, 2SC2412KR						
Q602	XE0004	FET, 2SK209GR						
Q603	XU0006	Transistor, DTA114TK						
Q604	XT0067	Transistor, FMA4						
Q605	XT0067	Transistor, FMA4						
Q606	XT0068	Transistor, 2SA1162GR						
Q607	XT0067	Transistor, FMA4						
Q608	XT0067	Transistor, FMA4						
Q609	XT0069	Transistor, 2SD1225M						
Q610	XT0069	Transistor, 2SD1225M						
Q611	XU0002	Transistor, DTC114YK						
Q612	XU0014	Transistor, DTC144EK						
Q613	XE0015	FET, 2SK302Y						
Q614	XT0079	Transistor, 2SC2712GR						
Q615	XT0079	Transistor, 2SC2712GR						
Q616	XU0014	Transistor, DTC144EK						
Q617	XT0070	Transistor, FMS1						
Q618	XT0040	Transistor, 2SA1204Y						
Q619	XT0079	Transistor, 2SC2712GR						
Q620	XU0014	Transistor, DTC144EK						
Q621	XU0014	Transistor, DTC144EK						
Q622	XU0003	Transistor, DTC114TK						
Q623	XE0004	FET, 2SK209GR						
Q624	XU0017	Transistor, DTA144EK						
Q625	XU0003	Transistor, DTC114TK						
Q626	XT0040	Transistor, 2SA1204Y						
Q627	XU0014	Transistor, DTC144EK						
Q628	XU0014	Transistor, DTC144EK						
Q629	XU0014	Transistor, DTC144EK						
D601	XD0040	Diode, DAN202K						
D602	XD0040	Diode, DAN202K						
D603	XD0040	Diode, DAN202K						
D604	XD0040	Diode, DAN202K						
D605	XD0041	Diode, DAP202K						
D606	XD0039	Diode, RLS4152						
D607	XD0039	Diode, RLS4152						
D608	XD0118	Diode, MA716						

Ref. No.	Part Code	Part Name and Number
C622	CU8002	Chip C., C2012B1H103K
C623	CU0001	Chip C., C2012CH1H0R5C
C624	CU0006	Chip C., C2012CH1H050C
C625	CU0001	Chip C., C2012CH1H0R5C
C626	CU8002	Chip C., C2012B1H103K
C628	CU8002	Chip C., C2012B1H103K
C629	CU8002	Chip C., C2012B1H103K
C630	CU3035	Chip C., CM105W5R102K
C631	CU3035	Chip C., CM105W5R102K
C632	CU3035	Chip C., CM105W5R102K
C633	CU8002	Chip C., C2012B1H103K
C634	CU8002	Chip C., C2012B1H103K
C635	CU8002	Chip C., C2012B1H103K
C636	CU8006	Chip C., C2012B1E223K
C637	CU3035	Chip C., CM105W5R102K
C638	CU0023	Chip C., C2012CH1H330J
C639	CU3052	Chip C., CM105W5R103K
C640	CU8003	Chip C., C2012Y1E104Z
C641	CU0023	Chip C., C2012CH1H330J
C642	CU0023	Chip C., C2012CH1H330J
C643	CU3035	Chip C., CM105W5R102K
C644	CU3035	Chip C., CM105W5R102K
C645	CU8003	Chip C., C2012Y1E104Z
C646	CU8003	Chip C., C2012Y1E104Z
C647	CS0059	Chip Tantal C., TMC0J226TR
C648	CU0051	Chip C., C2012CH1H471K
C649	CS0057	Chip Tantal C., TMC0J225TR
C650	CU8003	Chip C., C2012Y1E104Z
C651	CU0051	Chip C., C2012CH1H471K
C652	CU3035	Chip C., CM105W5R102K
C653	CU3035	Chip C., CM105W5R102K
C654	CE0037	Chemical C., MS5 100 μ F/6.3 V
C655	CU3035	Chip C., CM105W5R102K
C656	CU3035	Chip C., CM105W5R102K
C657	CU3035	Chip C., CM105W5R102K
C658	CU3035	Chip C., CM105W5R102K
C659	CU0051	Chip C., C2012CH1H471K
C660	CU3035	Chip C., CM105W5R102K
C661	CU3035	Chip C., CM105W5R102K
C662	CE0100	Chemical C., MS5 22 μ /16 V
C664	CU8006	Chip C., C2012B1E223K
C665	CU8005	Chip C., C2012B1H222K
C666	CU8003	Chip C., C2012Y1E104Z
C667	CS0063	Chip Tantal C., TMC1V104TR
C668	CU8007	Chip C., C2012Y1H473Z
C669	CS0063	Chip Tantal C., TMC1V104TR
C670	CU3035	Chip C., CM105W5R102K
C671	CU3023	Chip C., CM105CH101K
C672	CU8006	Chip C., C2012B1E223K
C673	CU0006	Chip C., C2012CH1H050C
C674	CU8006	Chip C., C2012B1E223K
C675	CS0050	Chip Tantal C., TMC1A475TR
C676	CE0044	Chemical C., MS5 10 μ /16 V
C677	CS0052	Chip Tantal C., TMC1A336TR
C678	CU0051	Chip C., C2012CH1H471K
C679	CE0056	Chemical C., MS5 100 μ /16 V
C680	CU3035	Chip C., CM105W5R102K
C681	CE0056	Chemical C., MS5 100 μ /16 V
C682	CU3035	Chip C., CM105W5R102K
C683	CS0061	Chip Tantal C., TMC1V224TR
C684	CE0056	Chemical C., MS5 100 μ /16 V
C686	CU3035	Chip C., CM105W5R102K
C687	CU3035	Chip C., CM105W5R102K
C688	CU8002	Chip C., C2012B1H103K
C689	CU8005	Chip C., C2012B1H222K
C690	CU8002	Chip C., C2012B1H103K
C691	CU8002	Chip C., C2012B1H103K
C692	CU0011	Chip C., C2012CH1H100D
C694	CU3035	Chip C., CM105W5R102K
C695	CU3011	Chip C., CM105CH100K50VAT
C696	CU3035	Chip C., CM105W5R102K
C697	CU3052	Chip C., CM105W5R103K25VAT
CN1	UE0036	Housing TZL-P14P-A1
CN2	UE0037	Housing TZL-P10P-A1
CN3	UE0038	Housing TZL-P09P-A1
CN4	UE0038	Housing TZL-P09P-A1

Ref. No.	Part Code	Part Name and Number
CN5	UE0037	Housing TZL-P10P-A1
CN6	UE0039	Housing TZL-P02P-A1
CN7	UE0039	Housing TZL-P02P-A1
1750 Hz Tone Unit		
IC1	XA0093	IC, NJU4069UBM-TEI
IC2	XA0092	IC, NJU4020BM-TEI
IC3	XA0068	IC, M5218FP-T01-1
Q1	XU0005	DG Transistor, DTA143XK
X1	XB0001	Ceramic Resonator, FAR-C4CA-0358000K01
	UP0166A	1750 Tone P.C.B., UP0166A
	UX0091	Harness UX0091
VR1	RH0051	VR, CVR-42A-472AW1D
R1	RK0086	Chip R., MCR10 1M
R2	RK0054	Chip R., MCR10 15K
R3	RK0054	Chip R., MCR10 15K
R4	RK0054	Chip R., MCR10 15K
R5	RK0054	Chip R., MCR10 15K
R6	RK0054	Chip R., MCR10 15K
R7	RK0069	Chip R., MCR10 100K
R8	RK0072	Chip R., MCR10 180K
R9	RK0030	Chip R., MCR10 560 Ω
R10	RK0045	Chip R., MCR10 4.7K
C1	CS0053	Chip Tantal C., TMC0J476TR
C2	CU8001	Chip C., C2012B1H102K
C3	CU8002	Chip C., C2012B1H103K
C4	CU8002	Chip C., C2012B1H103K
C5	CU8002	Chip C., C2012B1H103K
C6	CU8002	Chip C., C2012B1H103K
C7	CU8022	Chip C., C2012B1H332K
C8	CS0057	Chip Tantal C., TMC0J225TR
C9	CS0050	Chip Tantal C., TMC1A475TR
Tone Squelch Unit		
IC1	XA0020	IC, MN6520
	XA0019	IC, μ PD4094BG
Q1	XT0017	Transistor, 2SA1162Y
Q2	XT0031	Transistor, 2SC2712Y
Q3	XU0008	Transistor, DTA114TK
Q4	XU0006	Transistor, DTA114TK
D1	XD0040	Diode, DAN202K
D2	XD0040	Diode, DAN202K
VR1	RH0031	VR, CVR-42A-103AW1D
X1	XB0002	Ceramic Resonator, FAR-C4CA-04194000K01
	UP0149	P.C.B., UP0149
	UX0091	Harness, UX0091
R1	RK0052	Chip R., MCR10 10K
R2	RK0052	Chip R., MCR10 10K
R3	RK0053	Chip R., MCR10 12K
R4	RK0054	Chip R., MCR10 15K
R5	RK0071	Chip R., MCR10 150K
R6	RK0039	Chip R., MCR10 2.2K

Ref. No.	Part Code	Part Name and Number
R7	RK0052	Chip R., MCR10 10K
R8	RK0069	Chip R., MCR10 100K
R9	RK0076	Chip R., MCR10 330K
R11	RK0069	Chip R., MCR10 100K
R12	RK0037	Chip R., MCR10 1.5K
C1	CS0059	Chip Tantal C., TMC0J226MTR
C2	CS0053	Chip Tantal C., TMC0J476MTR
C3	CS0051	Chip Tantal C., TMC1C106MTR
C4	CS0063	Chip Tantal C., TMC1V104MTR
C5	CS0050	Chip Tantal C., TMC1A475MTR
C6	CU8007	Chip C., C2012JF1H473Z
C7	CU8007	Chip C., C2012JF1H473Z
C8	CU8001	Chip C., C2012B1H102K
C9	CU8001	Chip C., C2012B1H102K
C10	CU8001	Chip C., C2012B1H102K
C11	CU8001	Chip C., C2012B1H102K
C12	CU8001	Chip C., C2012B1H102K
C13	CC0105	Ceramic C., 50 V CH 4PF
Ni-Cd Battery Unit		
J1	UJ0010	DC Power Jack, HEC0786-01-040
J2	UJ0012	DC Power Jack, HEC0779-01-030
Q1	XT0065	Transistor, 2SB889P
D1	XD0089	Diode, P330D
D2	XD0089	Diode, P330D
D3	XD0089	Diode, P330D
D4	XD0089	Diode, P330D
D5	XD0038	Diode, ISS133
D6	XD0038	Diode, ISS133
D7	XD0038	Diode, ISS133
D8	XL0018	LED, TLR224
D9	XD0092	Diode, GP15B
R1	RD0042	Carbon Resistance, RD25N 3.3 k Ω
R2	RD0113	Carbon Resistance, RD25N 4.7 k Ω
R3	RD0035	Carbon Resistance, RD25N 1 k Ω
Mechanical Parts		
	KM0036	Front Case
	KM0051	Front Case
	KB0024	Rear Case
	KU0051	Upper Case
	KU0055	Upper Case
	DP0030	LCD Panel
	DP0034	LCD Panel
	DP0035	LCD Panel
	NK0008	Volume Knob
	NP0013	Push Knob
	NP0014	Call Knob
	NS0001	Slide Knob L
	DV0002	M. Net
	NB0018	PTT Knob
	NB0019	Release Knob
	NB0016	Tone Knob
	DS0054	Rating Plate
	DS0065	Rating Plate
	DS0066	Rating Plate
	DS0079	Rating Plate
	DK0089	Lock Display Panel

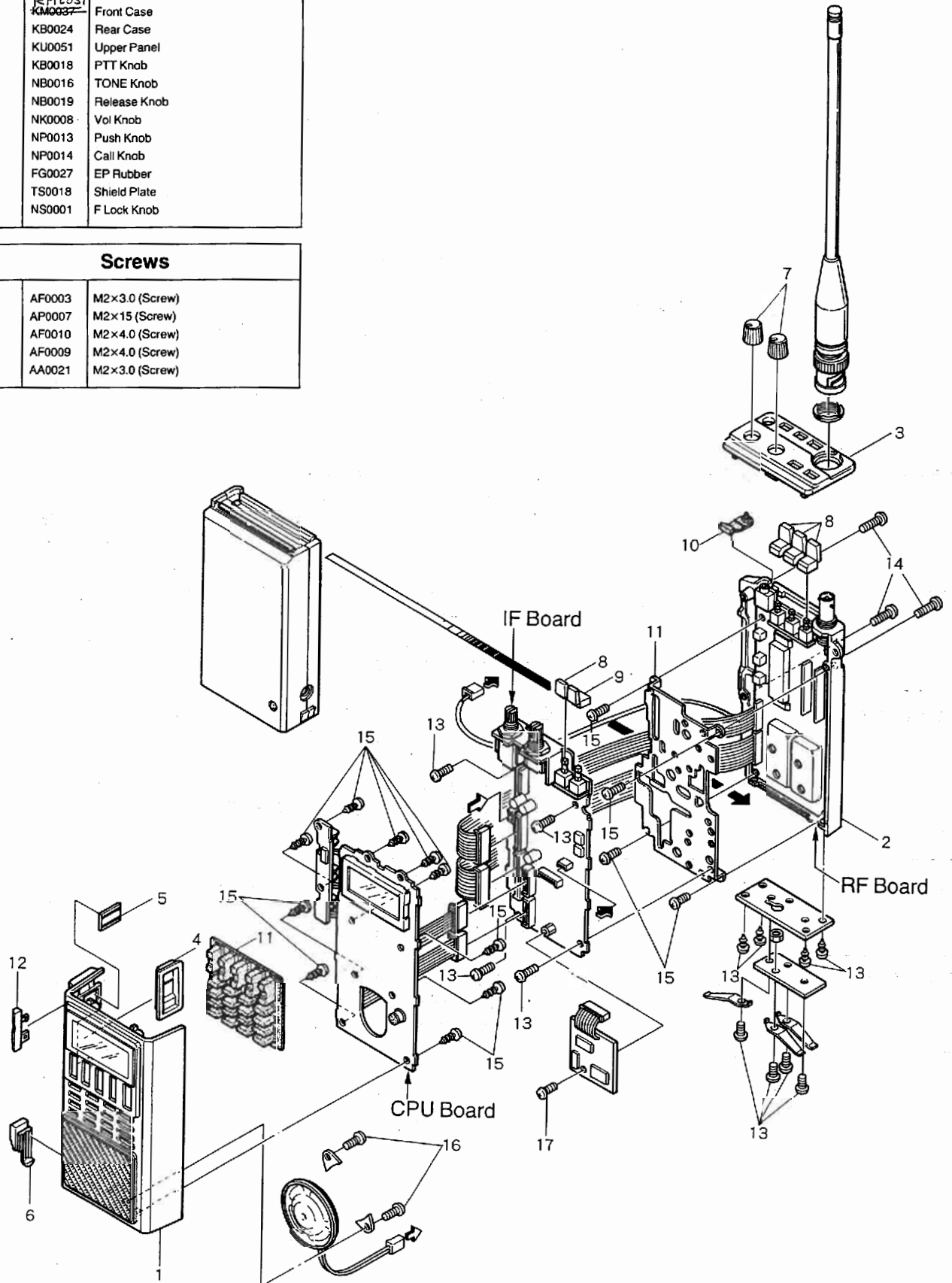
Ref. No.	Part Code	Part Name and Number
	FG0025	Silicon Key
	FG0027	EP Rubber
	FG0026	Interconnector
	FP0013	PTT Cushion
	KD0011	Battery Case
	KF0011	Battery Case Cover
	SD0005	Spring A
	SD0006	Spring B
	SD0007	Spring C
	SD0008	Spring D
	SD0009	Spring E
	SD0010	Spring F
	SP0001	Spring, Power,
	FF0011	Speaker Sheet
	TS0019	Shield
	ST0019	Volume Angle
	TS0018	Main Shield
	ST0020	Speaker Fastening
	SS0035	Bottom Chassis
	ST0021	LCD Clasp,
	TZ0023	Shield Insulator
	TZ0024	Lithium Insulator
	TZ0025	VCO Insulator
	TZ0026	Insulator Sheet
	TZ0027	VCO Spacer
	TZ0028	VOL Spacer
	FM0026	Module Earth
	AS0131A	Screws
	AS0100A	Screws
Screws Unit		
	AF0003	Screw M2x3, 38FN20030FN
	AF0010	Screw M2x4, 38FN20040FN
	AP0005	Screw M2x4, 38PN20040GB
	AP0003	Screw M2x16, 38PN20160GB
	AB0007	Screw M26x8, 38AN26080GZ
	AF0009	Screw M2x4, 38FN20040AB
	AA0021	Screw M2x3, 38AS20030GZ
	AN0004	Nut M2, 38NH20NF040
	AP0007	Screw M2x15, 38PN20150GB
	SA0003	Tone Spacer
		Washer
	AA0020	Screw M26x4, 38AT26040GC

Mechanical Parts (Ni-Cd) Unit		
	KF0012	Ni-Cd Battery Case Cover 7NA
	KD0018	Ni-Cd Battery Case
	EG0006	Ni-Cd Battery 2 pcs.
	FG0003	Cushion
	PR0012	Caution Label
	PR0080	Caution Label
	HP0006	Polyvinyl Bag, 43P5x90x170
	TT4002	Tube
	YZ0044	Screw Lock
	AS0098	Screws
	UT0018	M2 Jack
	AF0008	Screw M2x3.5, 38FN20035FN
Others Unit		
	HK0151	Decorative Case
	HK0152	Decorative Case
	HK0153	Decorative Case
	HU0029	Inner Cushion
	HM0062	Outer Case
	PR0022	Seal (E),
	EA0008	Antenna, 22ADRB3008A
	HP0005	Polyvinyl Bag, 43P5x140x250
	HP0022	Polyvinyl Bag, 43P5x105x250
	HP0006	Polyvinyl Bag, 43P5x90x170
	HP0003	Polyvinyl Bag, 43P5x75x110
	HP0031	Polyvinyl Bag, 43P5x100x200
	UZ0010	Conversion Plug
	EJ0002	EDC-10
	YZ0025	EDC-6
	PS0108	Instructions Manual
	PH0002	Warranty Card
	BB0004	Handle
	BH0002	Belt Clip
	PT0004	Serial Seal
	PR0081	Operation Guide Seal

■ CABINET PARTS LOCATION

Ref. No.	Part Code	Part Name and Number
Mechanical Parts		
1	KM0037 KMC051	Front Case
2	KB0024	Rear Case
3	KU0051	Upper Panel
4	KB0018	PTT Knob
5	NB0016	TONE Knob
6	NB0019	Release Knob
7	NK0008	Vol Knob
8	NP0013	Push Knob
9	NP0014	Call Knob
10	FG0027	EP Rubber
11	TS0018	Shield Plate
12	NS0001	F Lock Knob

Screws		
13	AF0003	M2×3.0 (Screw)
14	AF0007	M2×15 (Screw)
15	AF0010	M2×4.0 (Screw)
16	AF0009	M2×4.0 (Screw)
17	AA0021	M2×3.0 (Screw)

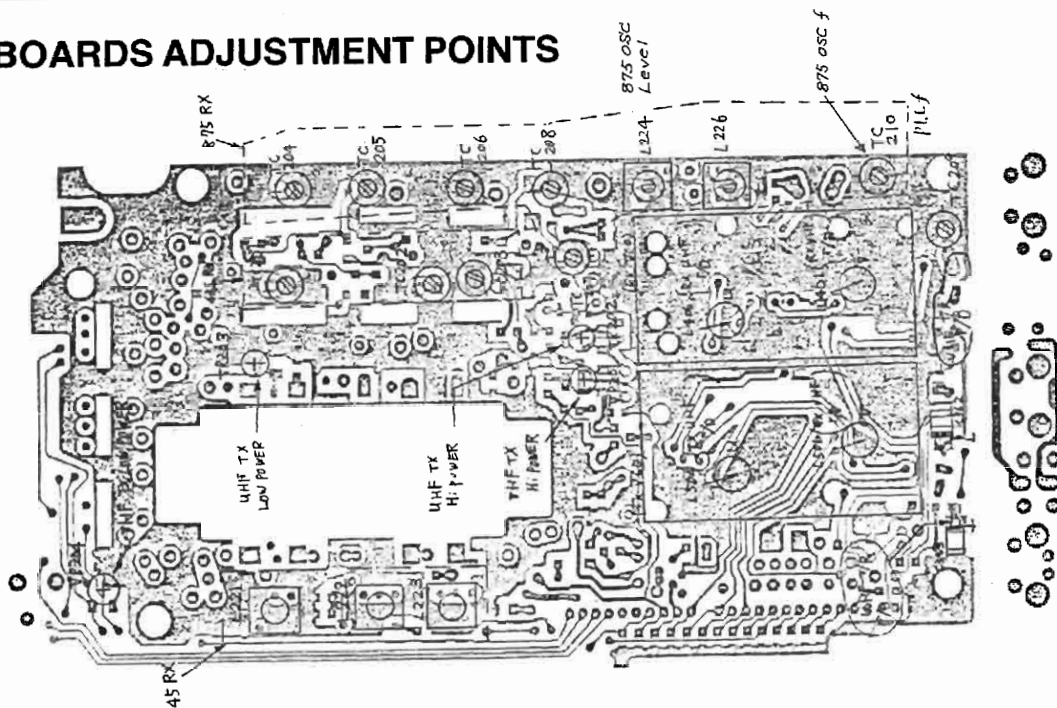


■ ADJUSTMENT

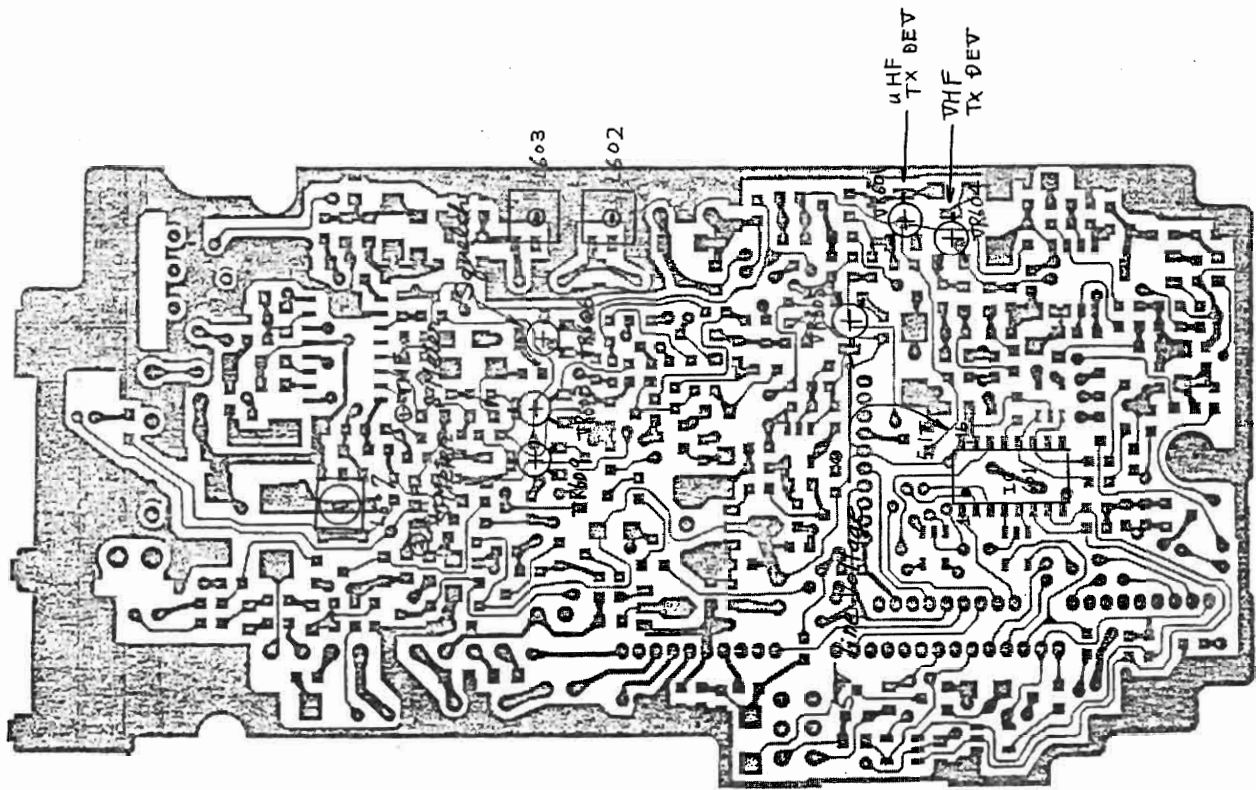
Item	Adjustment Point	Adjustment Method	Spec
5 V line voltage	VR605	Turn VR605 so that the voltage of 16 pin of IC601 should be 5.1 V.	5.1 V \pm 0.1 V
VCO P/D voltage	L401 (RX VCO) (VHF) L501 (TX VCO) (VHF) L406 (RX VCO) (UHF) L504 (TX VCO) (UHF)	Adjust L401 so that the voltage of C362 (+) is 1.5 V. Adjust L501 so that the voltage of C362 (+) is 2.0 V. (DJ-500E) Adjust L406 so that the voltage of C343 (+) is 1.1 V. (DJ-500T) Adjust L406 so that the voltage of C343 (+) is 1.9 V. (DJ-500E) Adjust L504 so that the voltage of C343 (+) is 2.1 V. (DJ-500T) Adjust L504 so that the voltage of C343 (+) is 3.0 V.	1.5 V \pm 0.3 V (145 MHz) 2.0 V \pm 0.3 V 1.1 V \pm 0.2 V (435.0 MHz) 1.9 V \pm 0.2 V (445.0 MHz) 2.1 V \pm 0.3 V 3.0 V \pm 0.3 V
Frequency	TC209	Set the unit in the transmission mode at 435 MHz (DJ-500T: 445 MHz) and adjust TC209.	435 MHz \pm 500 Hz (445 MHz \pm 500 Hz)
VHF power output	VR201 VR204	On "HI" position, turn VR201 for 6.6 W output at 145.0 MHz 13.0 V. On "LO" position, turn VR204 for 0.6 W output at 145.0 MHz 13.0 V.	6.5 W \pm 0.5 W 0.5 W \pm 0.1 W
UHF power output	VR202 VR203	On "HI" position, turn VR202 for 5.6 W output at 435 MHz 13.0 V (DJ-500T: 445 MHz 13.0 V) On "LO" position, turn VR203 for 0.6 W output at 435 MHz 13.0 V (DJ-500T: 445 MHz 13.0 V)	5.5 W \pm 0.3 W 0.5 W \pm 0.1 W
VHF deviation	VR604	Input a signal of 1 kHz/50 mV into the Mic jack and adjust VR604 so that you obtain 4.8 kHz/Dev in the transmission mode.	4.8 kHz \pm 0.2 kHz
UHF deviation	VR601	Input a signal of 1 kHz/50 mV into the Mic jack and adjust VR601 so that you obtain 4.8 kHz/Dev in the transmission mode.	4.8 kHz \pm 0.2 kHz

Item	Adjustment Point	Adjustment Method	Spec
Subaudible tone deviation (DJ-500T)	VR1	On the "ENC" mode at 449 MHz, turn VR1 so that the deviation is 0.8 kHz.	0.8 kHz ±0.1 kHz
1750 Hz tone burst deviation (DJ-500E)	VR1	Pressing Tone button at 435.0 MHz, turn VR1 so that the deviation is 3.5 kHz.	3.5 kHz ±500 Hz
DTMF deviation	VR1	Pressing [1] key at 435.0 MHz (DJ-500T: 445.0 MHz), turn VR1 so that the deviation is 3.3 kHz.	3.3 kHz ±500 Hz
UHF receiving sensitivity (SG output: Mod 1 kHz, 3.5 kHz/Dev)	TC201 TC202 TC203 L602 L603 L607	<ol style="list-style-type: none"> Set the frequency at 435.0 MHz (DJ-500T: 445.0 MHz) and turn the squelch control to OFF. Adjust TC201, TC202, TC203, L602 and L603, so that the RX sensitivity becomes maximum. Adjust L607 so that the audio output becomes maximum. 	(12 dB SINAD) (EMF) under -6 dBμ
VHF receiving sensitivity (SG output: Mod 1 kHz, 3.5 kHz/Dev)	L221 L222 L223	<ol style="list-style-type: none"> Set the frequency at 145.0 MHz and turn the squelch control to OFF. Adjust L221, L222 and L223 so that the sensitivity becomes maximum. 	under -6 dBμ
S-meter (SG output: +6 dBμ EMF)	VR603 (VHF) VR609 (UHF)	Turn VR603 so that the [1] begins to light. Turn VR609 so that the [1] begins to light.	+4~+8 dBμ
Squelch sensitivity	VR606	<ol style="list-style-type: none"> Connect the antenna terminal to the chassis ground and set the squelch volume to the 10 o'clock direction. Turn VR606 to set the threshold point. 	Threshold point

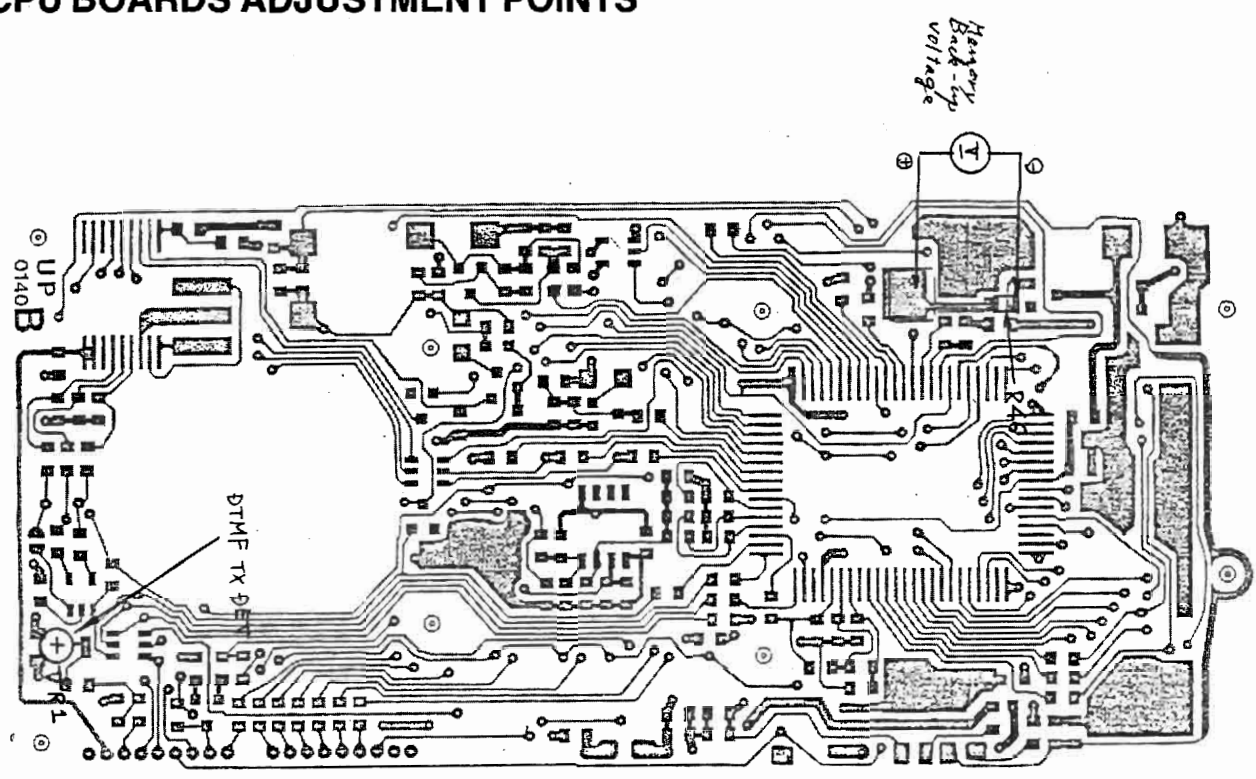
RF BOARDS ADJUSTMENT POINTS



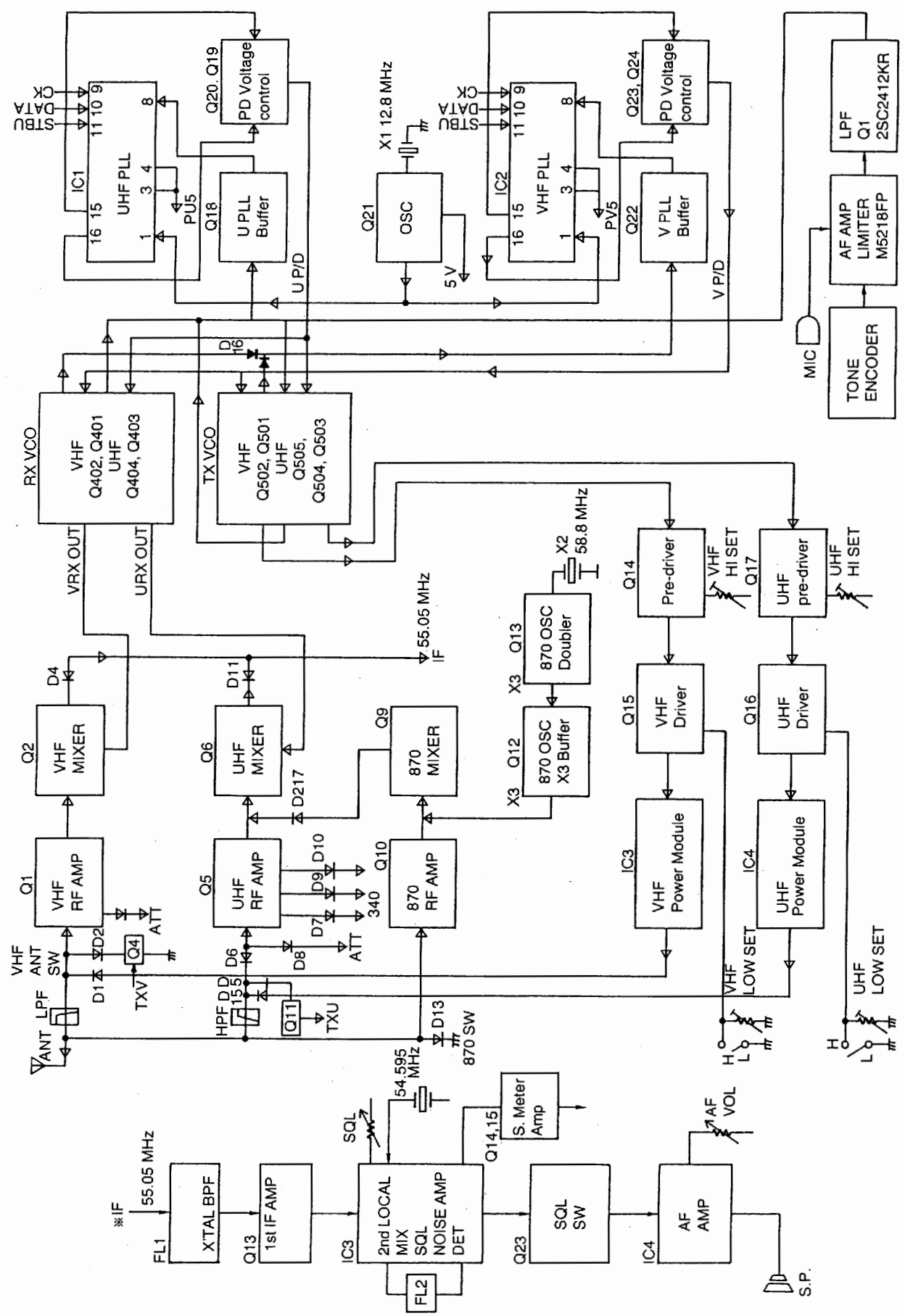
■ IF BOARDS ADJUSTMENT POINTS



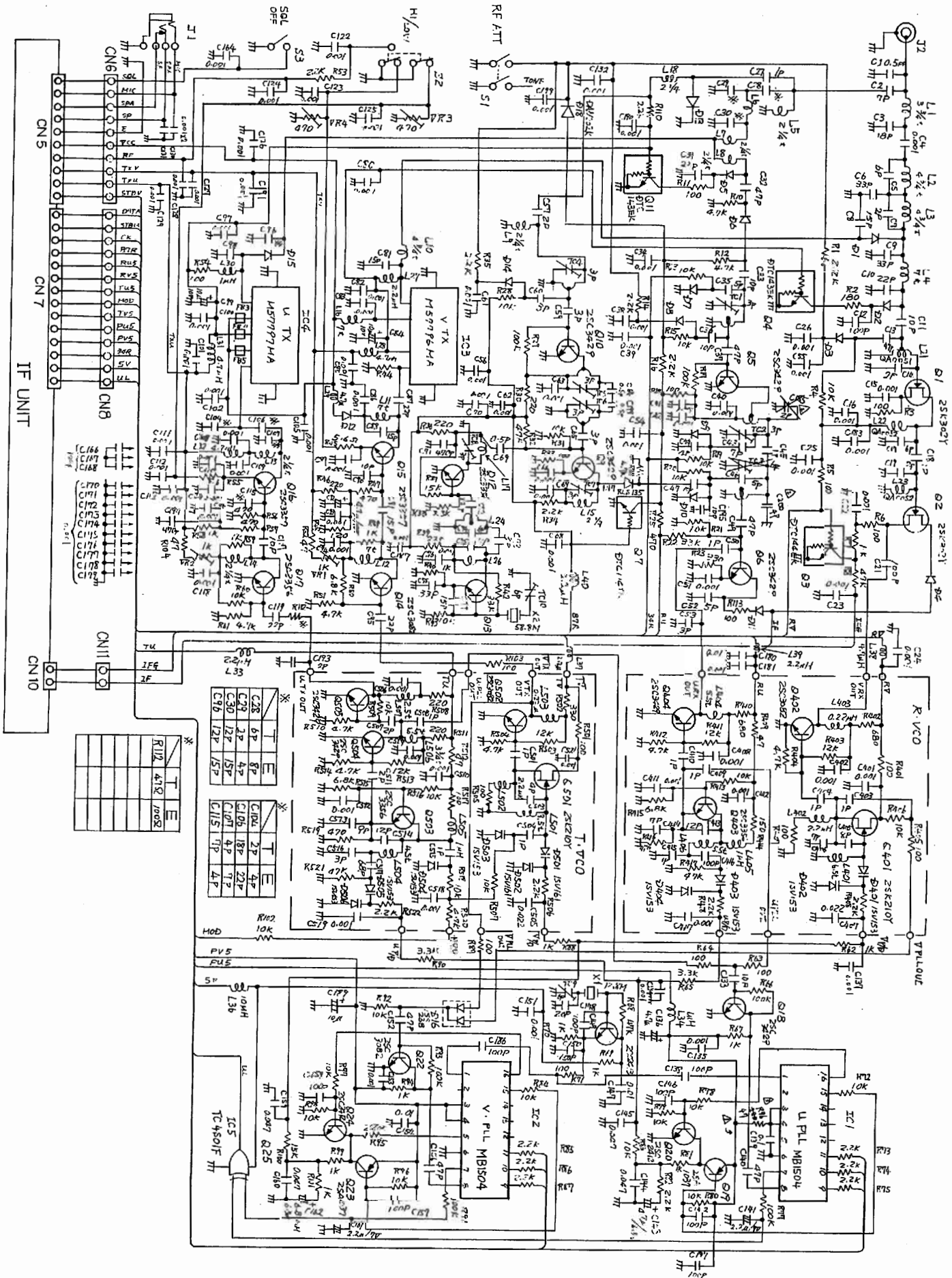
■ CPU BOARDS ADJUSTMENT POINTS



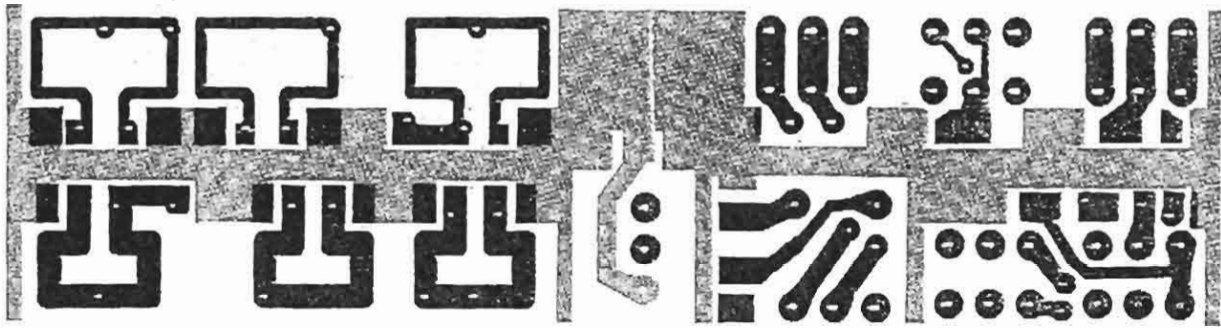
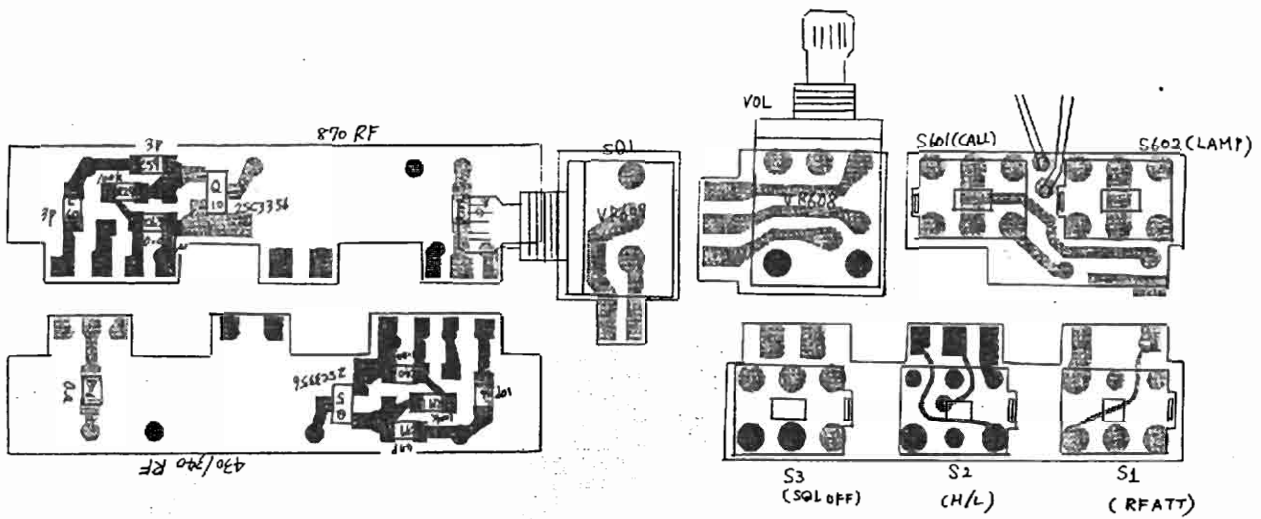
■ BLOCK DIAGRAM



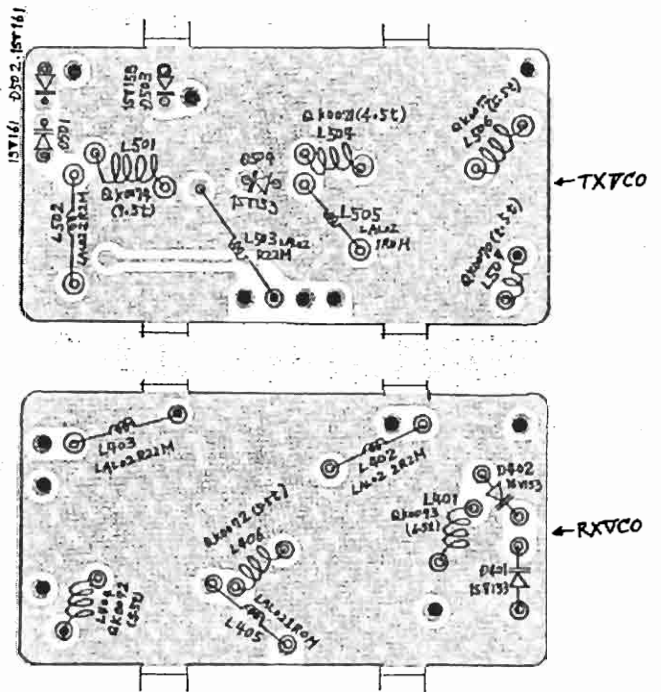
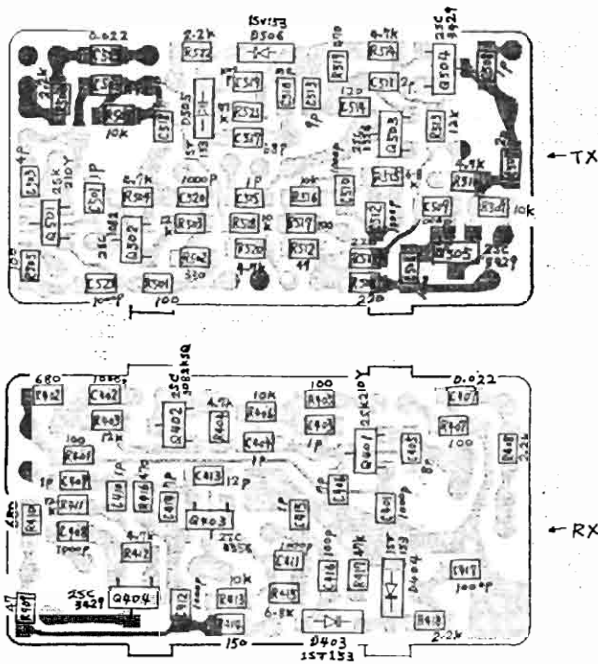
SCHEMATIC DIAGRAM OF RF UNIT



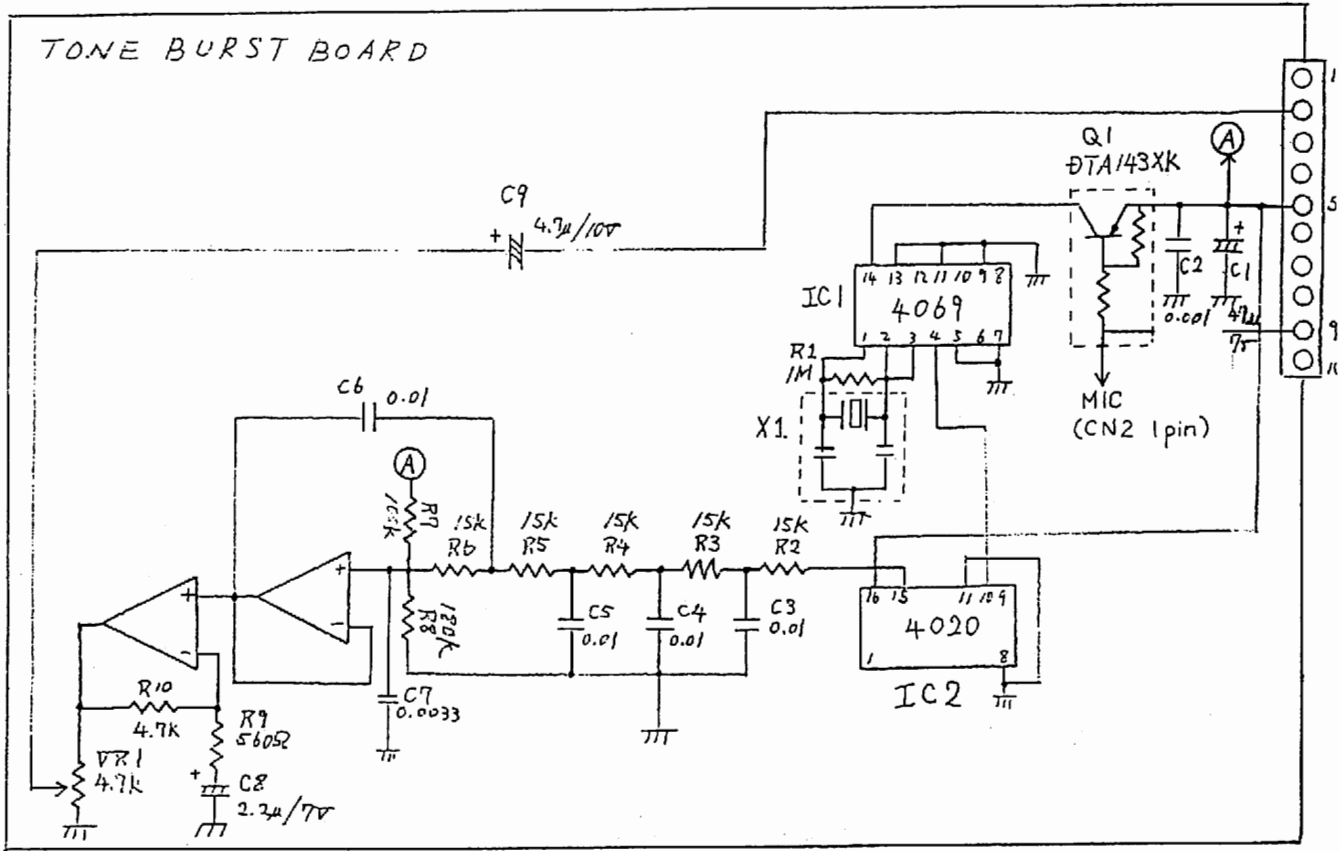
■ SW PC BOARDS



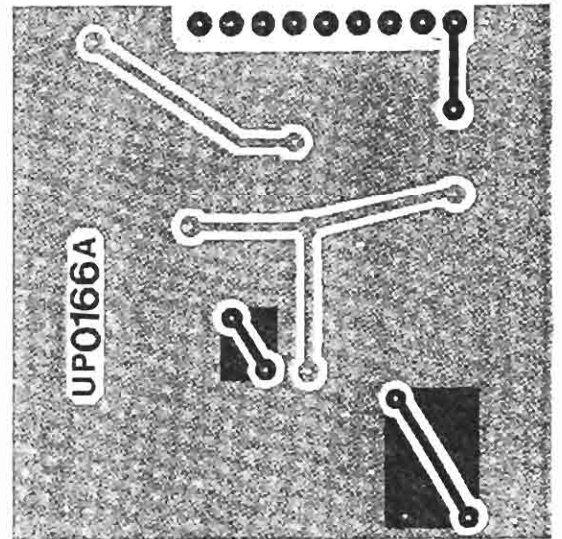
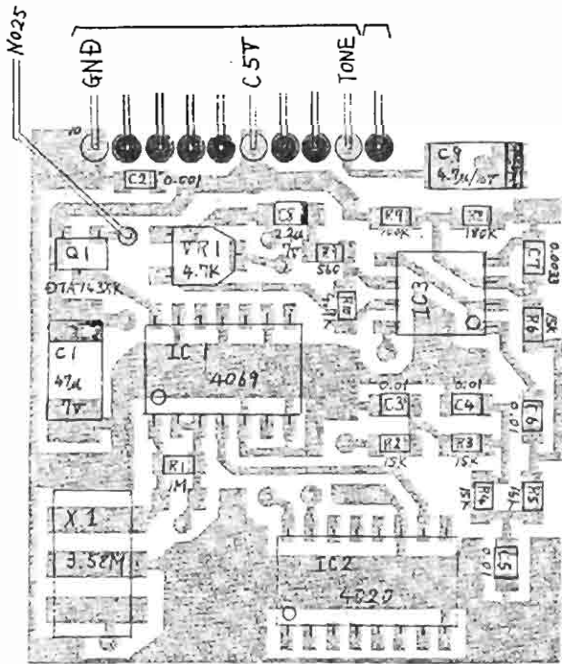
■ VCO PC BOARDS



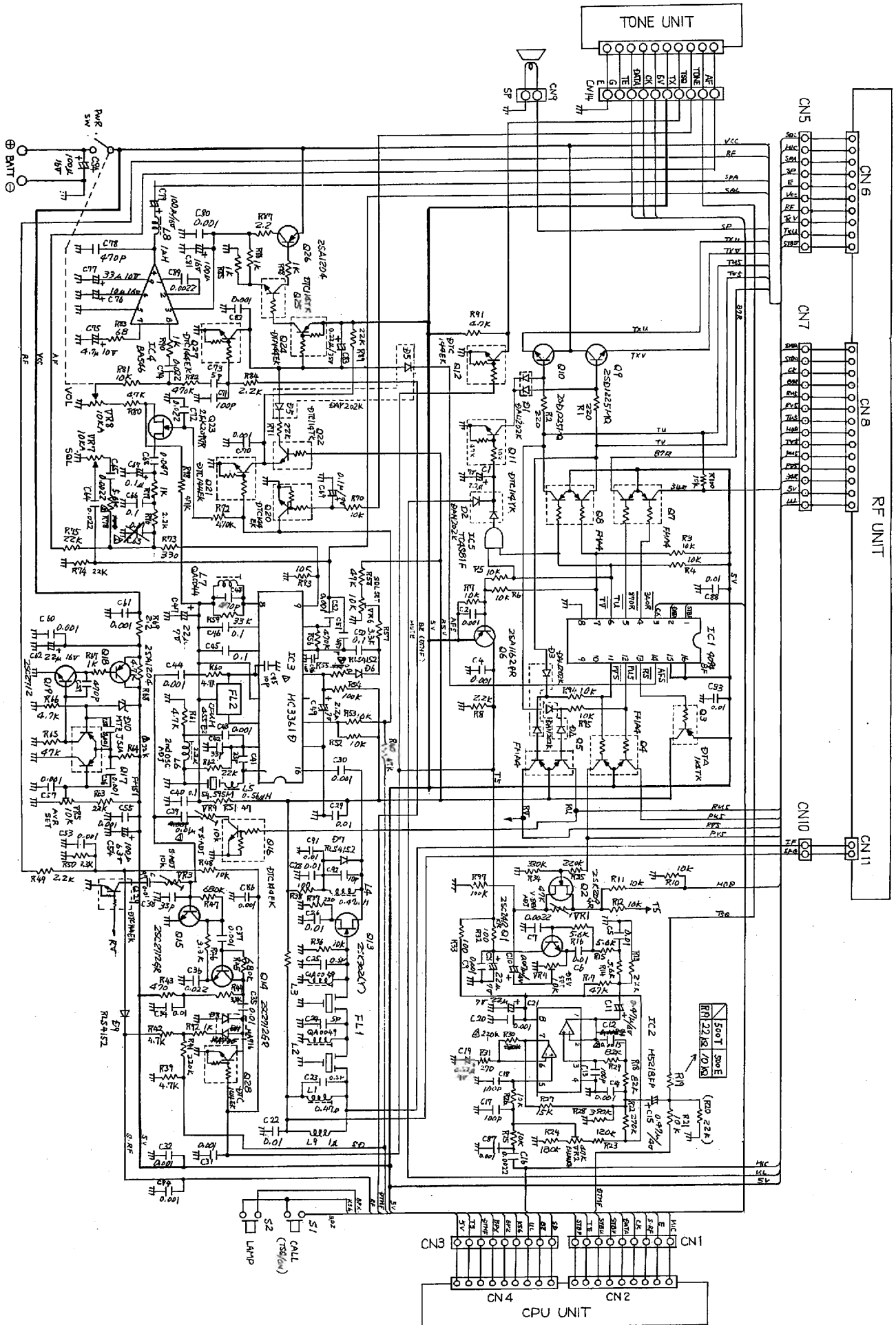
■ SCHEMATIC DIAGRAM OF TONE BURST UNIT



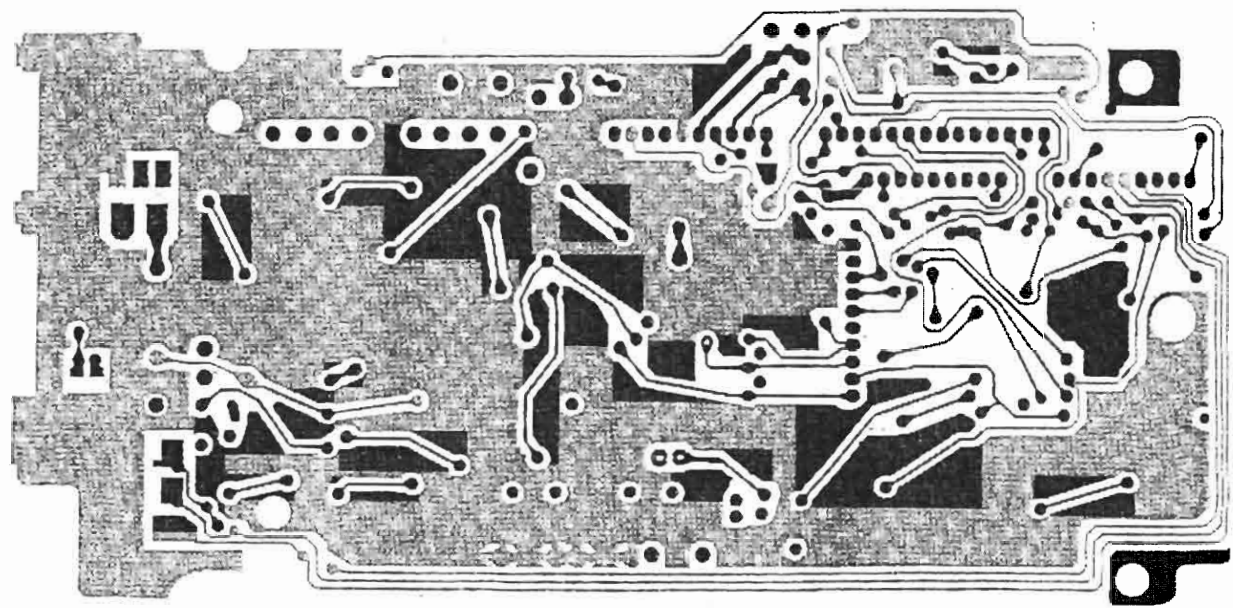
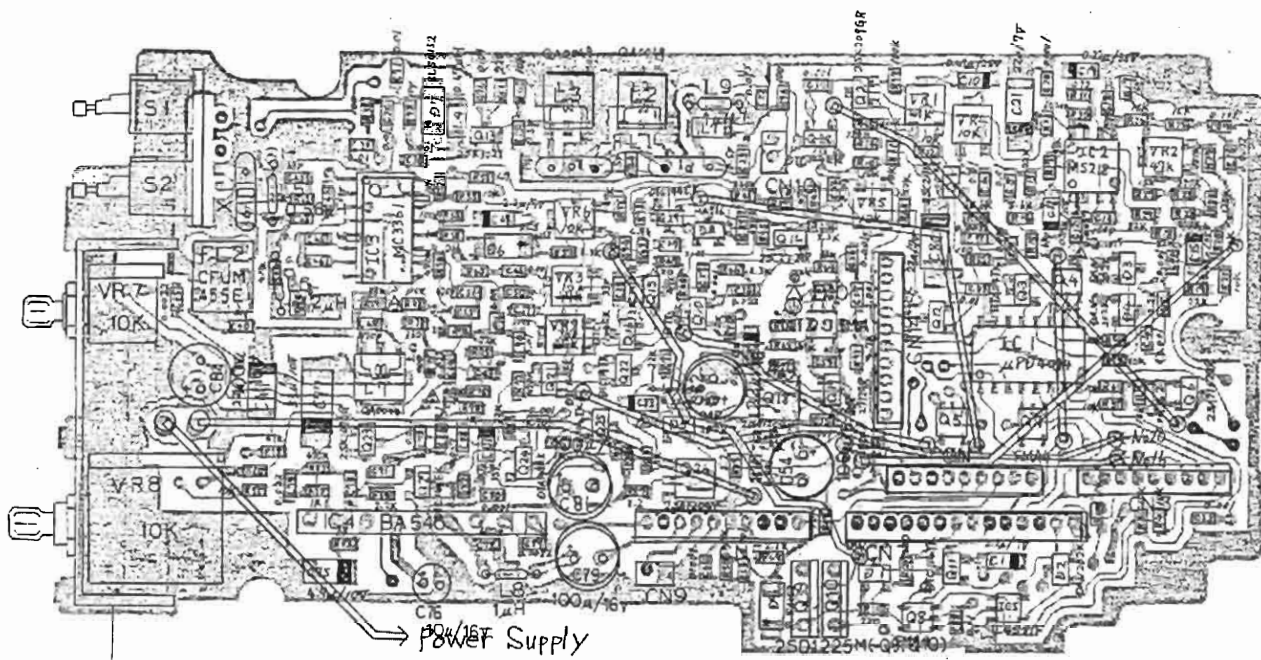
■ TONE BURST PC BOARDS



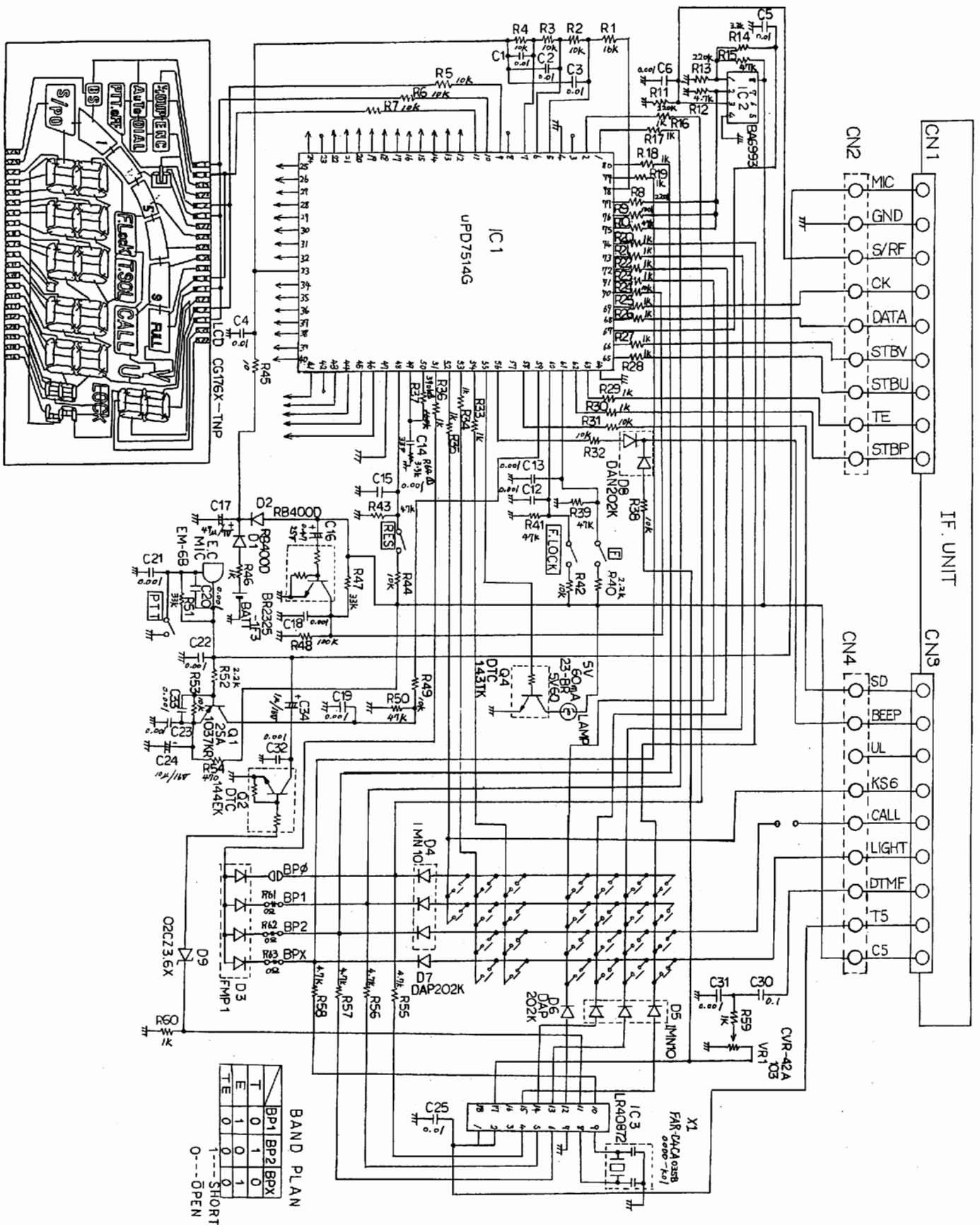
■ SCHEMATIC DIAGRAM OF IF UNIT



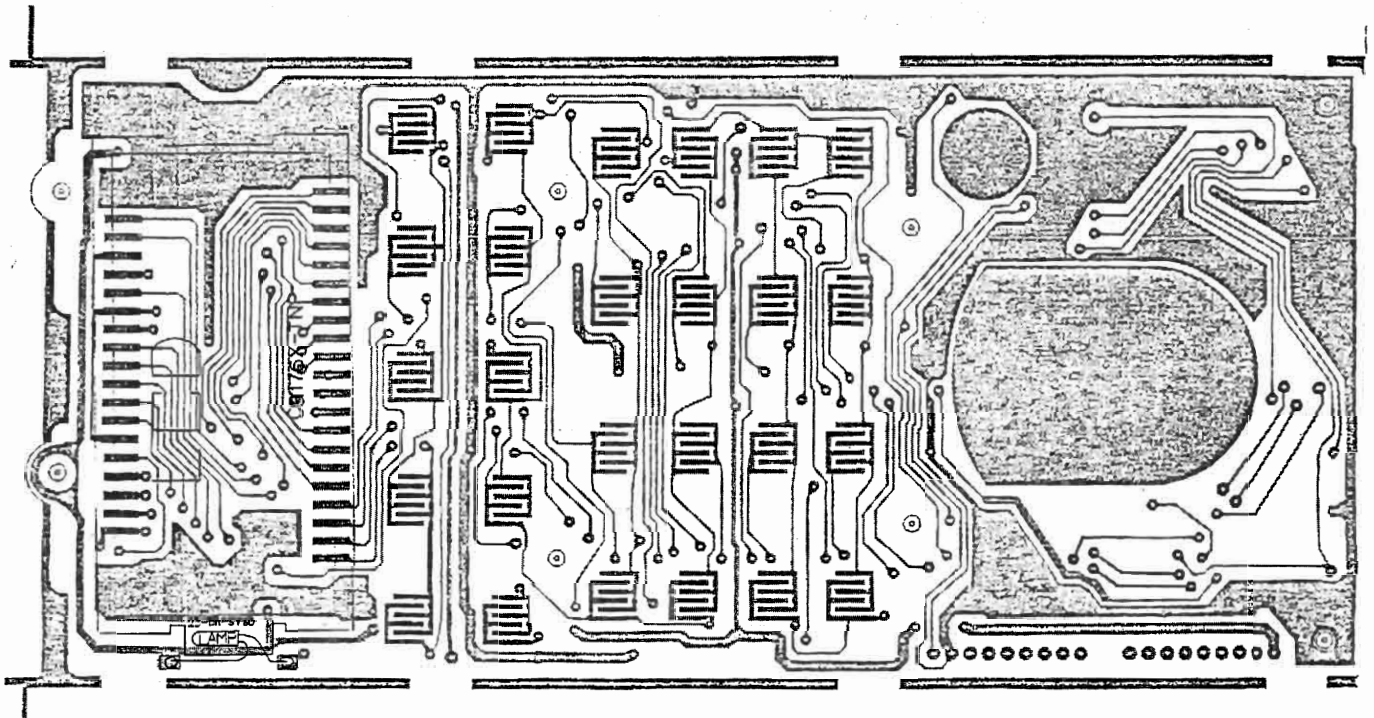
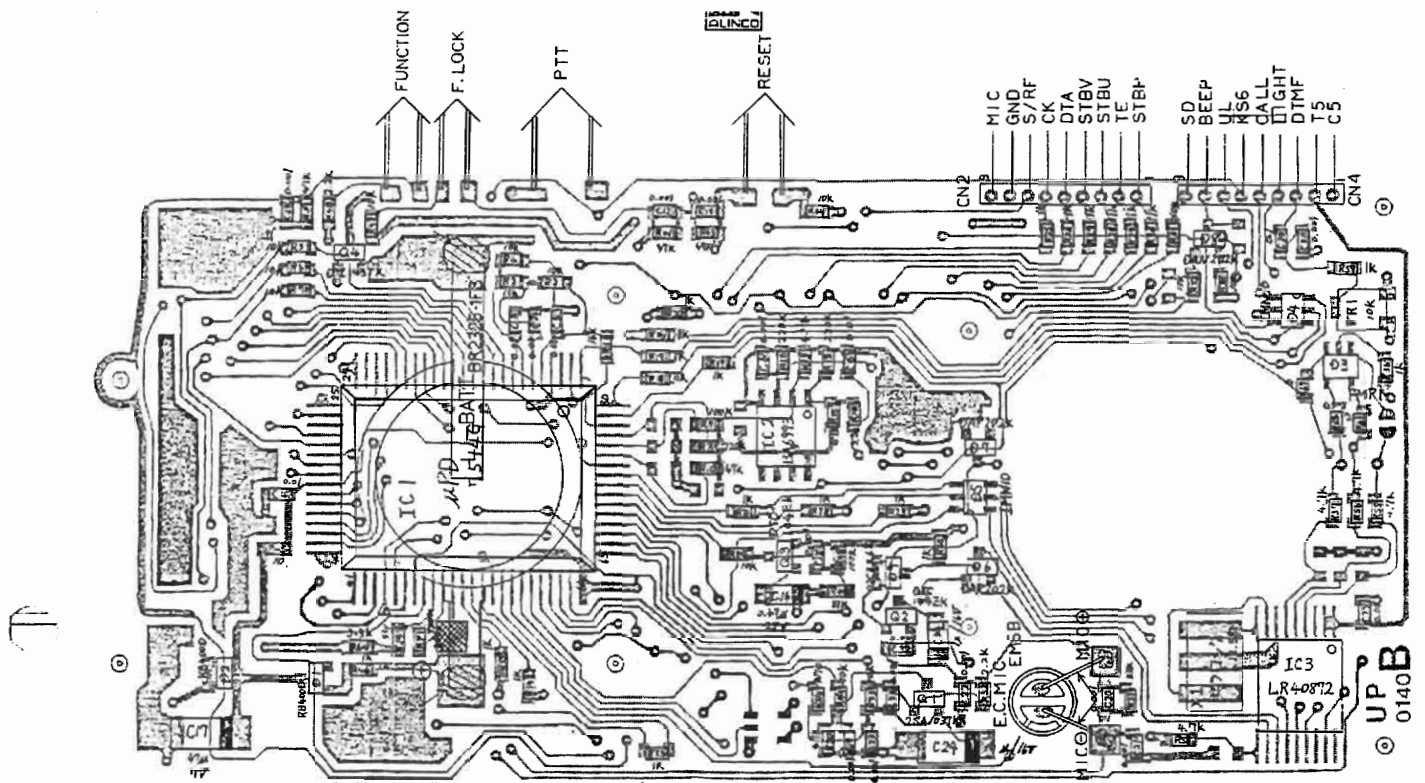
IF PC BOARDS



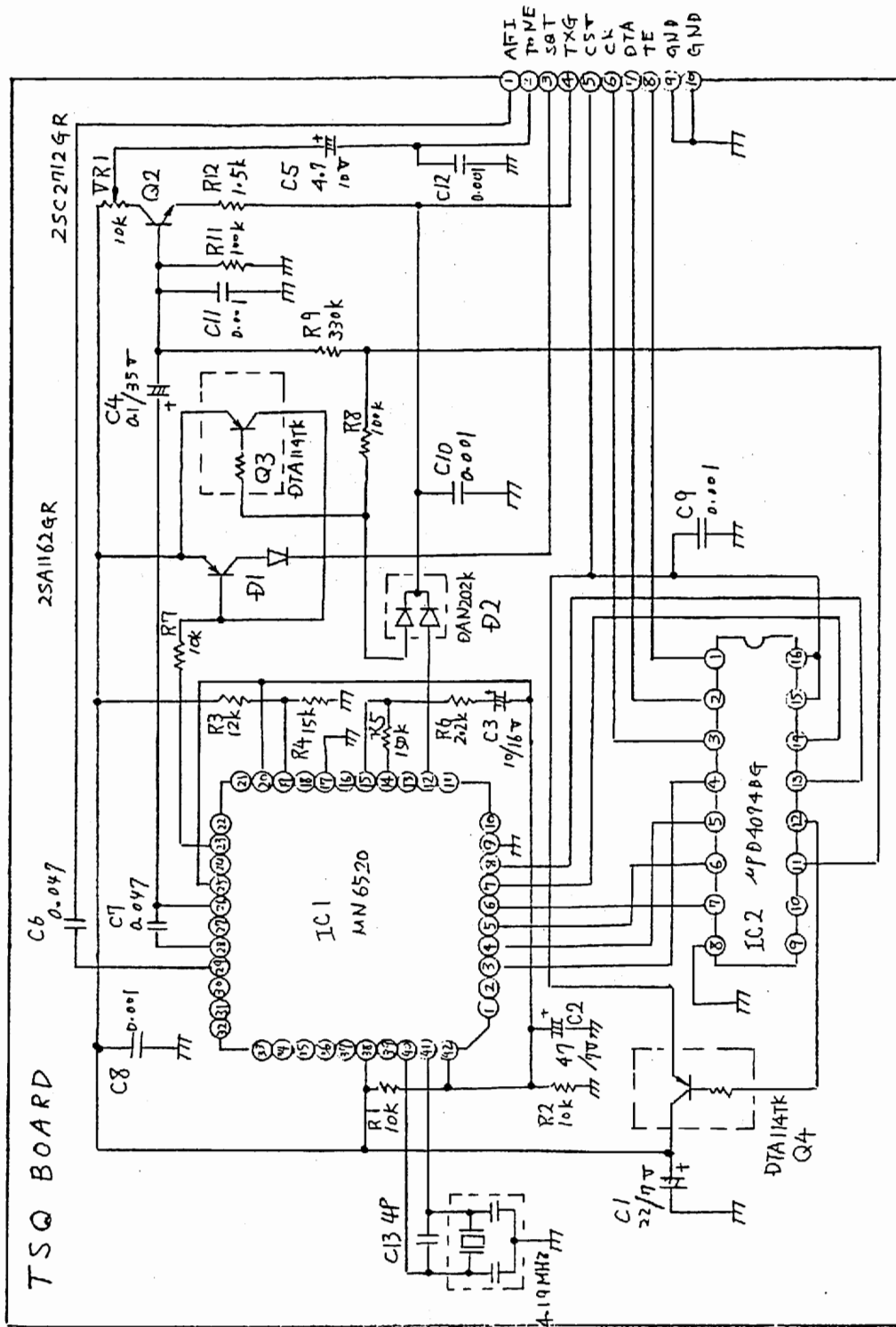
■ SCHEMATIC DIAGRAM OF CPU UNIT



■ CPU PC BOARDS



■ SCHEMATIC DIAGRAM OF TSQ UNIT





ALINCO ELECTRONICS INC.

Head Office: "TWIN 21" MID Tower Building 23F
1-61, 2-Chome, Shiromi, Chuo-ku, Osaka No. 540, Japan
Factory: 1-1-1, Mishimae, Takatsuki, Osaka No. 569, Japan



ALINCO ELECTRONICS INC.

20705 S. Western Ave., Suite 104 Torrance Ca. 90501, U.S.A.
Phone: 213-618-8616

Dealer/Distributor